

_____ 4

4 _____ 13

4 _____ 16

2 _____ 19

5 _____ 24

5 _____ 28

_____ 30

_____ 33

_____ 35

3 _____ 37

_____ 39

ЭЛЕКТРОДВИГАТЕЛИ КРАНОВЫЕ ТРЕХФАЗНЫЕ АСИНХРОННЫЕ СЕРИЙ МТ(Ф)Н, 4МТ, 4МТМ, МТК(Ф)Н, 4МТК, 4МТКМ

: 1, 1, 1, 01 15150-69

: 4 () 200, 225, 4 () 411, 412, 511, 512 - I 1003, I 1004, I 2003,
I 2004; МТМ280, МТН611, 612, 613, 4 400 - I 1003, I 1004; МТ(К)Н011, 012, 311, 312 - I 1001,
I 1002, I 2001, I 2002 2479-79

: I 54 17494-87.

: S3 - 40% 183-7.
: S3 - 15, 25, 60, 100%, S2 - 30 60 .

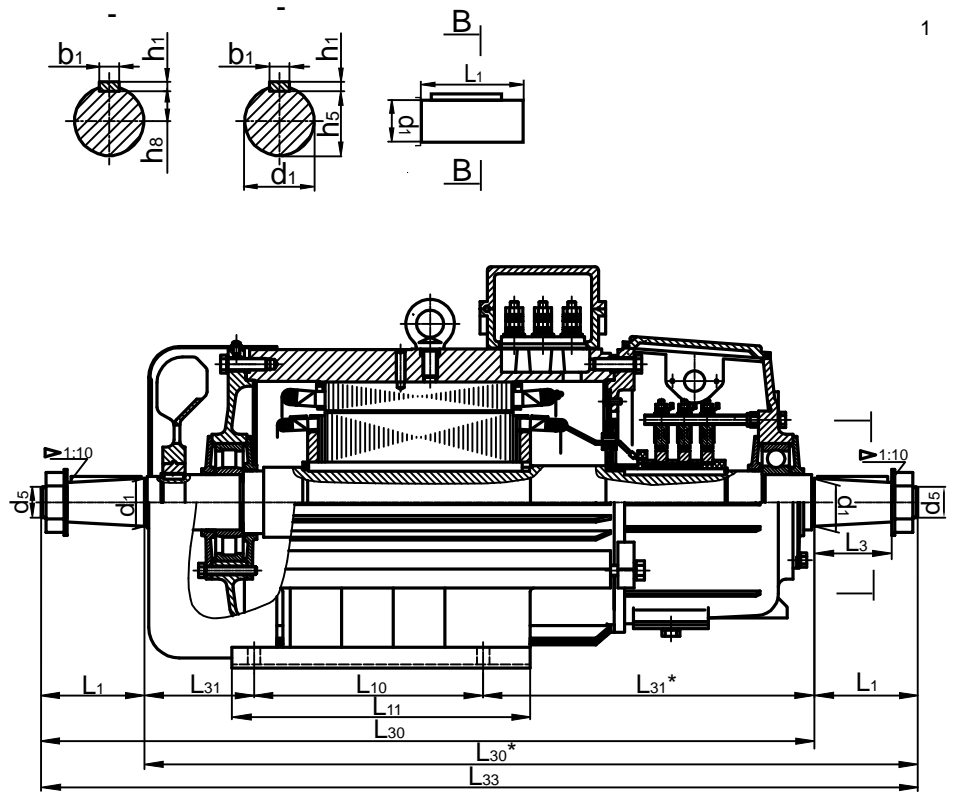
: 1,8 () 011, 012; 2, 8 () 311, 312, 411, 412, 511, 512, 4 () 200,
225; 4, 5 611, 612, 613, 4 280 16921-83

: 220, 380, 660 f=50 60 .

: "F", " " 8865-87.

IM1001, IM1002, IM1003, IM1004

1



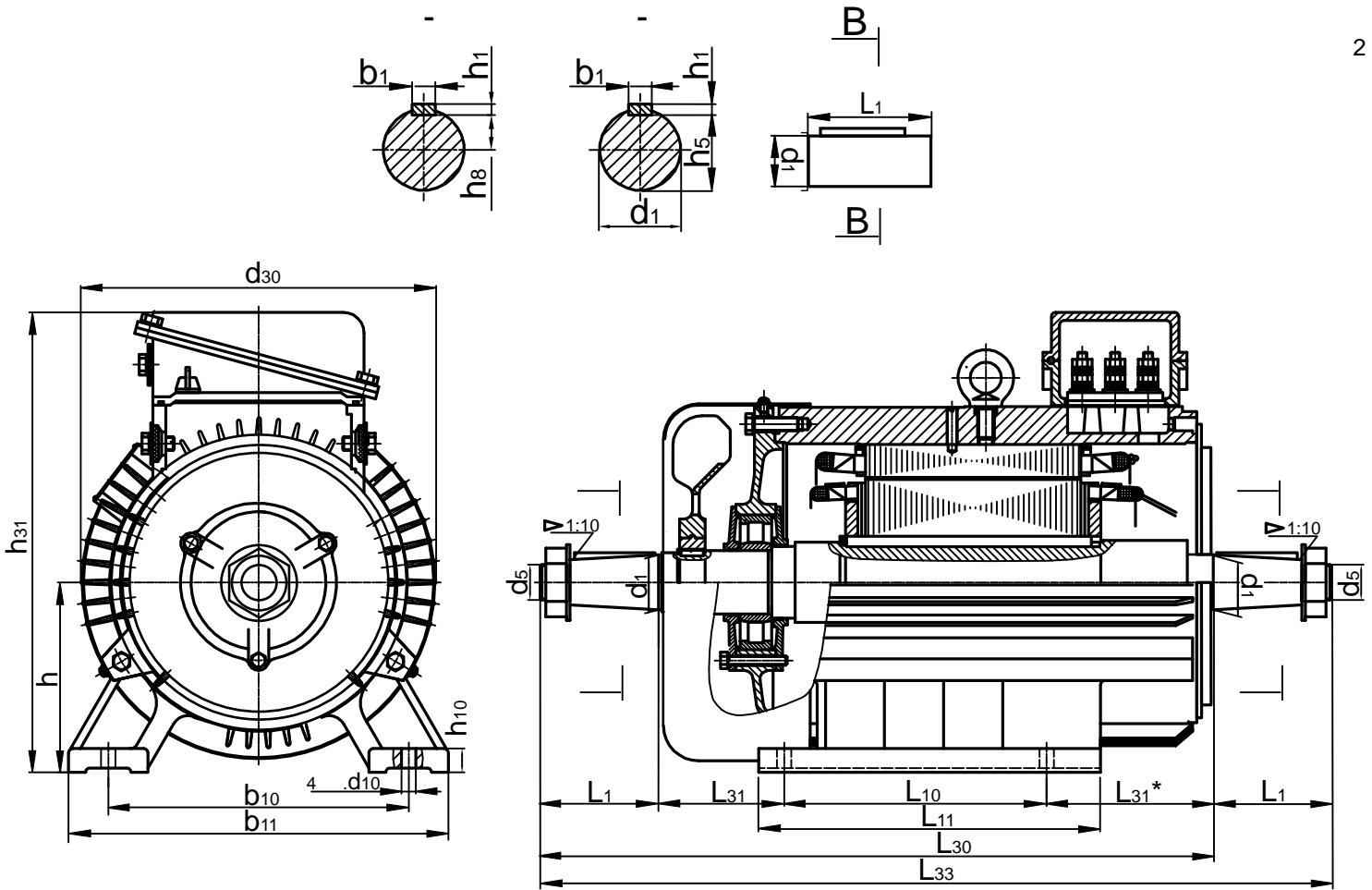
1

Тип двигателя	Габаритные размеры, не более				Установочные и присоединительные размеры													Справочные размеры			
	d ₃₀	L ₃₀	L ₃₀ *	L ₃₃	h ₃₁	b ₁	b ₁₀	d ₁	d ₅	d ₁₀	L ₁	L ₁₀	L ₃₁	L ₃₁ *	h	h ₁	h ₅	h ₈	b ₁₁	L ₁₁	h ₁₀
MT(F)H011-6	246	-	559	619	275	8	180	28	-	12	60	150	-	132	112	7	31	-	230	240	14
MT(F)H012-6	246	-	559	619	275	8	180	28	-	12	60	190	-	127	112	7	31	-	230	240	14
4MT(F)H111-6	288	632	-	715	318	10	220	35	-	15	80	190	140	-	132	8	38	-	290	280	16
4MT(F)H112-6	288	632	-	715	318	10	220	35	-	15	80	235	135	-	132	8	38	-	290	280	16
4MT(F)H132LA6	288	-	715	830	318	12	216	42	-	12	110	203	-	89	132	8	45	-	270	250	16
4MT(F)H132LB6	288	-	715	830	318	12	216	42	-	12	110	203	-	89	132	8	45	-	270	250	16
MT(F)H211A6	288	715	-	830	346	12	245	40	-	15	110	243	150	-	160	8	43	-	320	355	28
4MT(F)H211-6	325	758	-	868	425	12	245	42	-	24	110	243	150	-	160	8	-	-	300	317	20
4MT(F)H311	360	870	-	980	465	14	280	50	-	24	110	260	155	-	180	9	-	-	355	409	22
4MT(F)H312	360	870	-	980	465	14	280	50	-	24	110	320	170	-	180	9	-	-	355	409	22
4MTM225M	405	980	-	1120	510	16	318	65	M42x3	19	140	305	133	-	200	-	-	33,9	405	360	24
4MT(F)H411	430	1050	-	1190	545	16	330	65	M42x3	28	140	335	175	-	225	-	-	33,9	425	498	28
4MT(F)H412	430	1050	-	1190	545	16	330	65	M42x3	28	140	420	165	-	225	-	-	33,9	425	498	28
4MTM225L	465	960	-	1110	545	18	356	70	M48x3	19	140	311	149	-	225	-	-	36,4	435	370	24
4MTM225L	465	1070	-	1220	545	18	356	70	M48x3	19	140	356	149	-	225	-	-	36,4	435	410	24
MTH511	465	961	-	1110	570	18	380	70	M48x3	35	140	310	251	-	250	-	-	36,4	500	480	25
MTH512	465	1071	-	1220	570	18	380	70	M48x3	35	140	390	271	-	250	-	-	36,4	500	600	25
MTH611	605	1090	-	1335	775	22	520	90	M64x4	42	170	345	256	-	315	-	-	46,8	650	575	35
MTH612	605	1170	-	1435	775	22	520	90	M64x4	42	170	445	256	-	315	-	-	46,8	650	645	35
MTH613	605	1260	-	1530	775	22	520	90	M64x4	42	170	540	256	-	315	-	-	46,8	650	735	35
4MTM280S	605	1090	-	1265	740	22	457	90	M64x4	24	170	368	190	-	280	-	-	46,8	540	430	40
4MTM280M	605	1170	-	1345	740	22	457	90	M64x4	24	170	419	190	-	280	-	-	46,8	540	480	40
4MTM280L	605	1260	-	1439	740	22	457	90	M64x4	24	170	457	190	-	280	-	-	46,8	540	520	40
4 400S10	686	1402	-	1665	880	25	686	101,75	-	35	210	560	280	-	400	-	-	-	790	670	-
4 400M10	686	1473	-	1736	880	25	686	101,75	-	35	210	630	280	-	400	-	-	-	790	710	-
4 400L10	686	1553	-	1816	880	25	686	101,75	-	35	210	710	280	-	400	-	-	-	790	790	-

IM1001, IM1002, IM1003, IM1004

()

2



2

Тип двигателя	Установочные и присоединительные размеры															Справочные размеры		
	d ₃₀	L ₃₀	L ₃₃	h ₃₁	b ₁	b ₁₀	d ₁	d ₅	d ₁₀	L ₁	L ₁₀	L ₃₁	h	h ₅	h ₈	b ₁₁	L ₁₁	h ₁₀
(F)H011-6	246	440	505	275	8	180	28	-	12	60	150	132	112	31	-	230	230	14
(F)H012-6	246	440	505	275	8	180	28	-	12	60	190	127	112	31	-	230	230	14
4 (F)H111-6	288	512	592	318	10	220	35	-	15	80	190	140	132	38	-	290	280	16
4 (F)H112-6	288	512	592	318	10	220	35	-	15	80	235	135	132	38	-	290	280	16
4 (F)H132LA6	288	580	693	318	12	216	42	-	12	110	203	89	132	45	-	270	250	16
4 (F)H132LB6	288	580	693	318	12	216	42	-	12	110	203	89	132	45	-	270	250	16
4 (F)H211-6	288	580	693	346	12	245	40	-	15	110	243	150	160	43	-	320	355	28
4 (F)H311	422	625	745	480	14	280	50	-	24	110	260	155	180	53,5	-	350	320	21,5
4 (F)H312	422	690	810	480	14	280	50	-	24	110	320	170	180	53,5	-	350	380	21,5
4 (F)H200L	422	767	910	500	16	318	65	M42x3	19	140	305	133	200	-	33,9	400	350	24
4 (F)H411	422	767	910	525	16	330	65	M42x3	28	140	335	175	225	-	33,9	440	435	25/49
4 (F)H412	422	767	910	525	16	330	65	M42x3	28	140	420	165	225	-	33,9	440	510	25/49
4MTKM225M	465	797	945	545	18	356	70	M48x3	19	140	311	149	225	-	36,4	435	370	24
4MTKM225L	465	907	1054	545	18	356	70	M48x3	19	140	356	149	225	-	36,4	435	410	24
MTKH511	465	797	945	570	18	380	70	M48x3	35	140	310	251	250	-	36,4	500	480	25
MTKH512	465	907	1054	570	18	380	70	M48x3	35	140	390	271	250	-	36,4	500	600	25

Тип двигателя	Мощность, кВт, ПВ40%	Частота вращения, об/мин	Масса, кг	U=380В	В	%				
MT(F)H011-6	1,4	890	60	4,9	8,8	114	2,6	65,0	0,6	0,021
MT(F)H012-6	2,2	895	68	6,9	11,0	138	2,7	70,0	0,6	0,026
4MT(F)H111-6	3,5	900	108	9,8	14,6	177	2,5	75,0	0,73	0,061
4MT(F)H112-6	5,0	930	117	13,2	16,3	221	2,5	77,5	0,74	0,069
4MT(F)H132LA6	5,5	925	101	14,3	17,4	211	3,0	79,0	0,7	0,068
4MT(F)H132LB6	7,5	935	111	19,0	19,1	255	3,3	80,0	0,7	0,082
4MT(F)H211-6	7,5	935	160	18,3	24,2	219	2,5	80,0	0,78	0,145
4MT(F)H311-6	11	950	215	27,0	42,0	179	2,8	82,0	0,77	0,281
4MT(F)H311-8	7,5	700	215	20,0	24,0	223	2,5	78,0	0,75	0,281
4MT(F)H312-6	15	950	230	33,5	46,4	217	2,8	84,0	0,81	0,375
4MT(F)H312-8	11	710	230	27	44	174	2,5	81,0	0,77	0,375
4MT(F)H200LA6	22	960	290	51	61	240	2,8	85,0	0,79	0,580
4MT(F)H411-6		960	347	48	77	184	2,8	87,0	0,80	0,598
4MT(F)H200LB6	30	960	350	66	74	265	2,8	85,0	0,79	0,760
MT(F)H412-6			380	63	76	252	2,8	88,0	0,82	0,825
4MT(F)H200LA8	15	720	280	44	53	189	2,8	83,0	0,76	0,550
4MT(F)H411-8			380	63	76	252	2,8	88,0	0,82	0,580
4MT(F)H200LB8	22	715	350	52	60	240	2,8	83,0	0,76	0,770
4MT(F)H412-8			380	49	61	233	2,8	86,0	0,79	0,800
4MTM225M6	37	955	401	68	101	253	3,2	90,6	0,8	0,810
MT(F)H511-6			425							
4MTM225L6	55	955	490	103	105	366	3,0	90,1	0,8	1,120
MT(F)H512-6			520							
4MT(F)H225M8	30	715	400	64	81	253	3,2	89,0	0,7	1,050
MT(F)H511-8			424							
4MTM225L8	37	725	480	80	77	330	3,0	88,2	0,7	1,330
MT(F)H512-8			510							
4MTM280S6	75	955	745	146	200	275	3,2	90,2	0,8	3,320
MT(F)H611-6			781							
4MTM280L6	110	970	960	203	190	380	3,6	91,2	0,8	4,880
MT(F)H613-6			1004							
4MTM280S8	55	720	740	120	176	194	2,9	89,0	0,7	-
4MTM280M8	75	720	830	152	178	258	3,0	91,0	0,8	-
4MTM280L8	90	725	980	187	168	335	3,2	91,0	0,8	-
4MTM280S10	45	570	740	100	174	180	3,0	87,0	0,7	3,980
MT(F)H611-10			776							
4MTM280M10	60	575	855	130	180	240	3,0	88,0	0,7	4,930
MT(F)H612-10			895							
4MTM280L10	75	575	950	160	165	320	3,0	89,0	0,7	5,950
MT(F)H613-10			994							
4MTH400S10	110	600	1255	240	193	277	2,8	90,5	0,73	-
4MTH400M10	132	600	1420	285	234	330	2,8	91,3	0,73	-
4MTH400L10	160	600	1580	355	247	414	2,8	91,3	0,73	-

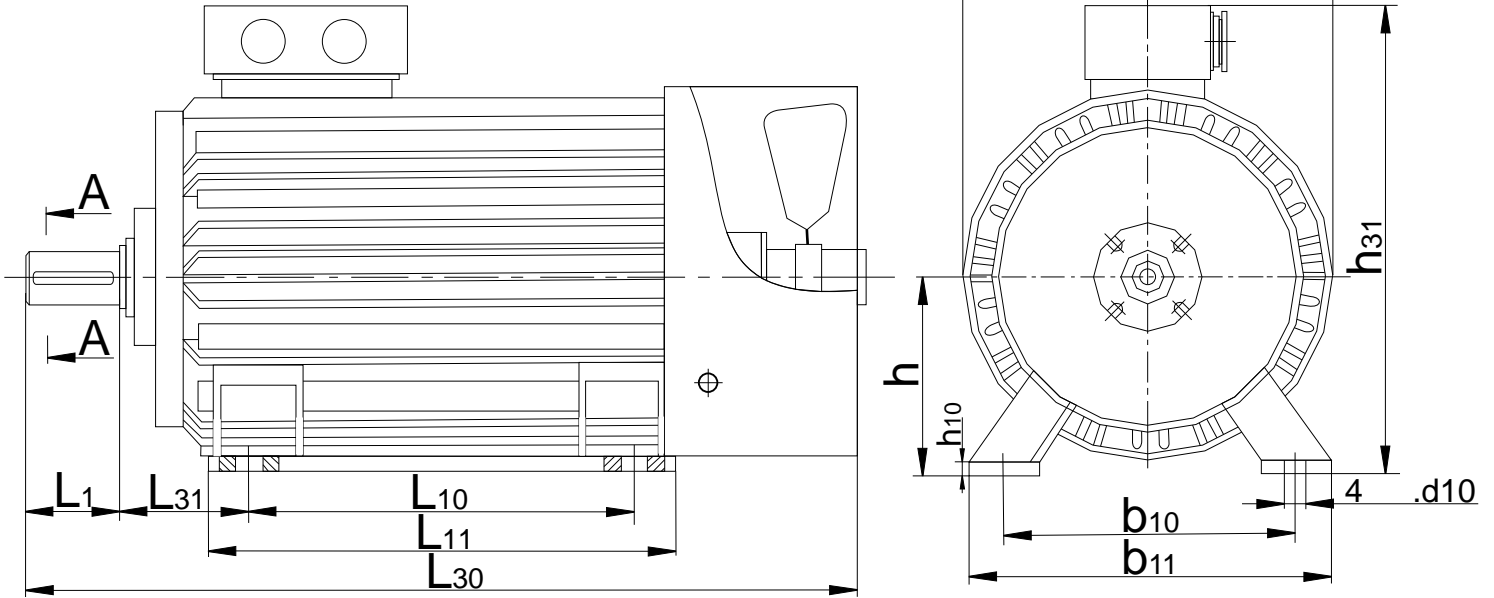
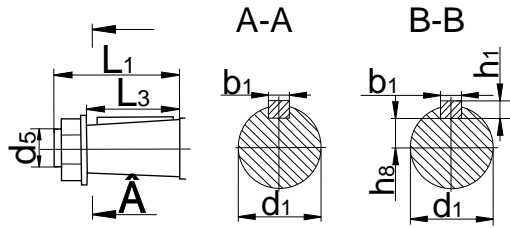
**ОСНОВНЫЕ ТЕХНИЧЕСКИЕ ХАРАКТЕРИСТИКИ ЭЛЕКТРОДВИГАТЕЛЕЙ
ПРИ ЧАСТОТЕ 50 ГЦ
с короткозамкнутым ротором**

4

Тип двигателя	Мощность, кВт, ПВ40%	Частота вращения, об/мин		U=380В				%	Коэф. Мощности, о.е.	
					I / I	M / M	M / M			
МТК(F)H011-6	1,4	920	46	4,5	4,0	2,8	2,8	70,5	0,67	0,016
МТК(F)H012-6	2,2	915	50	6,5	4,0	2,8	2,8	73,5	0,70	0,021
4МТК(F)H111-6	3,5	920	80	9,0	5,5	2,5	2,5	79,0	0,77	0,056
4МТК(F)H112-6	5	920	100	12,8	6,0	2,8	2,8	79,0	0,77	0,078
4МТК(F)H132LA6	5,5	900	93	14,5	4,3	3,1	3,1	76,0	0,76	0,062
4МТК(F)H132LB6	7,5	880	105	18,1	4,5	3,3	3,3	78,5	0,80	0,076
4МТК(F)H211-6	7,5	880	120	18,1	4,5	3,3	3,3	78,5	0,80	0,076
4МТК(F)H311-6	11	940	185	24,5	7,0	2,6	2,8	81,0	0,84	0,275
4МТК(F)H311-8	7,5	700	160	21,0	6,5	2,6	2,8	81,0	0,78	0,230
4МТК(F)H312-6	15	940	190	32,5	7,0	2,8	2,8	83,0	0,85	0,308
4МТК(F)H312-8	11	700	205	26,0	6,5	2,6	2,8	83,0	0,78	0,352
4МТК(F)H200LA8 4МТК(F)H411-8	15	700	250 262	40,0	6,5	2,6	2,8	82,0	0,80	0,560
4МТК(F)H200LA6 4МТК(F)H411-6	22	935	250 262	48,0	6,5	2,6	2,8	84,0	0,84	0,560
4МТК(F)H200LB8 4МТК(F)H412-8	22	700	310 322	54,0	6,5	2,6	2,8	83,0	0,80	0,750
4МТК(F)H200LB6 МТК(F)H412-6	30	935	310 322	61,0	7,4	3,0	3,0	85,0	0,85	0,750
4МТК(F)H225M8 МТК(F)H511-8	30	700	360 384	72,0	5,8	2,8	2,8	84,0	0,75	0,950
4МТКМ225M6 МТК(F)H511-6	37	930	360 384	77,0	6,5	3,0	3,0	85,0	0,86	0,750
4МТКМ225L8 МТК(F)H512-8	37	700	450 480	85,0	5,5	2,8	2,8	85,0	0,78	1,270
4МТКМ225L6 4МТКМН512-6	55	925	460 490	112,0	7,4	3,4	3,4	86,0	0,87	1,020

1500 / (4)							
4	2 111-4	5.5	12.3	1450	2.6	0.045	80
4	2 112-4	7.5	17.1	1450	2.6	0.055	95
4	2 211-4	11	23.2	1465	2.6	0.11	120
4	2 212-4	15	30	1465	2.8	0.125	130
4	2 312-4	22	44	1460	2.8	0.21	210
4	2 200LA4	30	57.5	1465	2.8	0.26	280
4	2 200LB4	37	70	1470	2.8	0.27	300
4	2 412-4	45	84	1475	2.8	0.47	325
4	2 511-4	55	102	1475	2.8	0.66	430
4	2 280SA4	63	114	1475	2.8	0.96	525
4	2 280SB4	75	136	1475	2.8	1.12	565
4	2 280M4	90	165	1475	2.8	1.25	580
4	2 611-4	110	201	1480	2.8	2.85	785
4	2 612-4	132	243	1485	2.8	3.20	950
4	2 613-4	160	288	1485	2.8	3.75	1050
4	2 614-4	200	360	1485	2.8	4.55	1090
4	2 355S4	220	396	1485	2.8	5.35	1520
4	2 355M4	250	440	1480	2.8	5.75	1710
4	2 355L4	315	550	1480	2.8	6.65	1860
1000 / (6)							
4	2 111-6	3	7.5	960	2.4	0.053	82
4	2 112-6	4	10	960	2.4	0.057	95
4	2 112-6	5.5	12.8	960	2.6	0.059	98
4	2 211-6	7.5	18.3	970	2.6	0.125	130
4	2 212-6	11	26	970	2.8	0.175	150
4	2 312-6	15	34.5	975	2.8	0.295	220
4	2 200LA6	22	45	980	2.8	0.325	250
4	2 200LB6	30	60	980	2.8	0.365	290
4	2 225M6	37	73	980	2.8	0.540	320
4	2 511-6	45	85	980	2.8	0.83	430
4	2 280SA6	55	105	985	2.8	1.38	550
4	2 280SB6	63	120	985	2.8	1.45	580
4	2 280M6	75	143	985	2.8	1.65	620
4	2 611-6	90	170	985	2.8	4.15	890
4	2 612-6	110	206	985	2.8	4.75	1005
4	2 613-6	132	246	985	2.8	5.45	1105
4	2 614-6	160	297	985	2.8	6.05	1175
4	2 355M6	200	370	985	2.8	7.96	1690
4	2 355S6	220	405	980	2.8	9.60	1735
4	2 355L6	250	450	980	2.8	10.50	1850

		-	-						
		,	,	/	,	/	,		
						2			
750	/	(8)						
4	2	212-8		7.5	19	730	2.6	0.175	150
4	2	312-8		11	26	735	2.8	0.325	220
4	2	200LA8		15	35	735	2.8	0.34	265
4	2	412-8		22	48	735	2.8	0.49	280
4	2	225M8		30	68	735	2.8	0.55	295
4	2	511-8		37	76	735	2.8	0.835	410
4	2	280S8		45	93	735	2.8	1.35	530
4	2	280M8		55	121	735	2.8	1.65	595
4	2	611-8		63	131	735	2.8	4.1	900
4	2	612-8		75	155	735	2.8	4.75	980
4	2	613-8		90	182	735	2.8	5.62	1060
4	2	614-8		110	220	735	2.8	6.55	1150
4	2	355M8		132	269	745	2.8	8.75	1510
4	2	355S8		160	320	745	2.8	9.4	1690
4	2	355L8		200	393	745	2.8	11.4	1790
600	/	(10)						
4	2	280SA10		37	79.3	585	2.8	1.75	550
4	2	280S10		45	102	585	2.8	2.1	620
4	2	611-10		55	124	585	2.8	4.85	980
4	2	612-10		63	141	585	2.8	5.64	1050
4	2	613-10		75	168	585	2.8	6.35	1130
4	2	614-10		90	198	585	2.8	7.25	1210
4	2	355S10		110	230	585	2.8	9.1	580
4	2	355M10		132	277	585	2.8	10.9	1680
4	2	355L10		160	333	585	2.8	13.5	1730



	b ₁₀	L ₁₀	L ₃₁	h	d ₁₀	L ₃₀	b ₁₁	d ₃₀	L ₁₁	h ₁₀	h ₃₁	L ₁	d ₁	b ₁	h ₈	d ₅	L ₃	h ₁
4 2 111	216	140	70	132	12	495	275	285	260	17	355	80	38	10	33	—	—	—
4 2 112	216	178	80	132	12	495	275	285	260	17	355	80	38	10	33	—	—	—
4 2 211	254	210	108	160	15	730	320	325	290	20	420	110	48	14	42.5	—	—	—
4 2 212	254	254	108	160	15	760	320	325	335	20	420	110	48	14	42.5	—	—	—
4 2 312	279	279	121	180	15	820	360	360	380	22	460	110	55	14	19.9	M36x3	82	9
4 2 200	318	305	133	200	19	845	395	400	378	27	506	110	60	16	21.4	M42x3	105	10
4 2 412	356	286	149	225	19	920	435	450	407	27	565	140	65	16	23.9	M42x3	105	10
4 2 225	356	311	149	225	19	920	435	435	407	27	565	140	65	16	23.9	M42x3	105	10
4 2 511	406	349	168	250	24	955	490	495	458	33	610	140	70	18	25.4	M48x3	105	11
4 2 280S	457	368	190	280	24	1120	550	555	535	38	670	140	85	20	35.7	M56x4	130	12
4 2 280M	457	419	190	280	24	1170	550	555	586	38	670	140	85	20	35.7	M56x4	130	12
4 2 611	508	406	216	315	28	1285	640	645	610	45	853	170	95	22	35.2	M60x4	130	14
4 2 612,613	508	457	216	315	28	1320	640	645	660	45	853	170	95	22	35.2	M60x4	130	14
4 2 614	508	508	216	315	28	1430	640	645	710	45	853	170	95	22	35.2	M60x4	130	14
4 2 355S,M	610	560	254	355	28	1520	730	710	750	52	1010	210	110	25	41.9	M80x4	165	14
4 2 355L	610	630	254	355	28	1520	730	710	750	52	1010	210	110	25	41.9	M80x4	165	14

ЭЛЕКТРОДВИГАТЕЛИ АСИНХРОННЫЕ СЕРИИ ДАЗО4

4

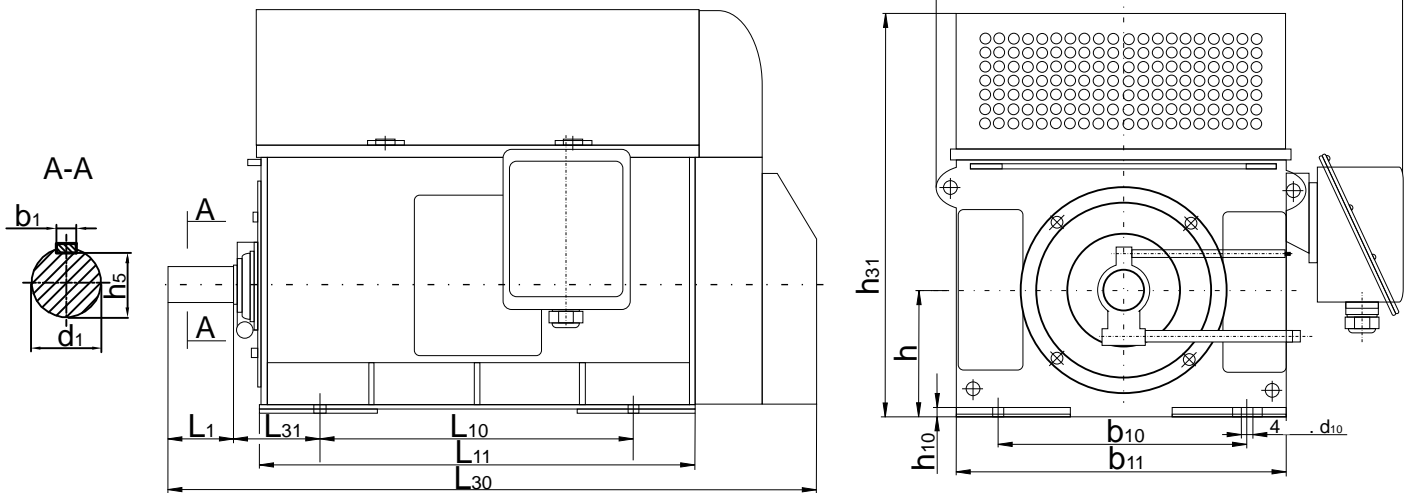
50 , 3000 ., 6000 . 10000 .
3000 . 6000 . - 1, 2.

S1.
-I 1001.
-I 54, -I 55, -I 21.
0,8U .

500

10000

“ -2”.



IM1001

7

	b ₁₀	L ₁₀	L ₃₁	d ₁	L ₁	b ₁	h ₅	h	d ₁₀	b ₁₁	L ₁₁	h ₁₀	b ₃₁	h ₃₁	L ₃₀
4-355	630	900	315	100	210	28	90	355	28	784	1360	20	1275	1420	1820
4-400	710	1000	335	110	210	28	100	400	35	910	1510	30	1550	1460	2150
4-450	800	1120	355	120/130	210/250	32	109	450	35	1160	1620	30	1650	1660	2350
4-560	1000	1400	500	160	300	36	138	560	42	1440	1900	40	1870	2200	3050
4-630	1120	1600	530	180	300	40	157	630	48	1640	2170	40	2070	2250	3420

			%	Cos φ	/	$\frac{M_s}{M_{nom}}$	$\frac{I_{ki}}{I_{nom}}$	$\frac{M_{max}}{M_{nom}}$	
4-355SA4	160	19.5	92.7	0.85	1500	0.7	6.5	1.8	1860
4-355SB4	185	22.5	92.8	0.85	1500	0.7	6.5	1.8	1900
4-355MA4	200	24.4	92.9	0.85	1500	0.7	6.5	1.8	1950
4-355MB4	220	26.8	93.0	0.85	1500	0.7	6.5	1.8	2000
4-355LA4	250	30.0	93.1	0.86	1500	0.7	6.5	1.8	2050
4-355LB4	280	33.6	93.2	0.86	1500	0.7	6.5	1.8	2100
4-400SA4	315	37.8	93.3	0.86	1500	0.7	6.5	1.8	2470
4-400SB4	355	42.5	93.5	0.86	1500	0.7	6.5	1.8	2530
4-400MA4	400	47.8	93.7	0.86	1500	0.7	6.5	1.8	2600
4-400MB4	450	53.6	93.3	0.86	1500	0.7	6.5	1.8	2670
4-400LA4	500	59.5	94.0	0.86	1500	0.7	6.5	1.8	2760
4-450SA4	560	66.5	94.2	0.86	1500	0.7	6.5	1.8	3500
4-450SB4	630	74.7	94.4	0.86	1500	0.7	6.5	1.8	3590
4-450MA4	710	84.0	94.6	0.86	1500	0.7	6.5	1.8	3720
4-450MB4	800	93.3	94.8	0.87	1500	0.7	6.5	1.8	3930
4-560SA4	1400	160.6	95.3	0.88	1500	0.6	6.5	1.8	6740
4-560SB4	1600	183.4	95.4	0.88	1500	0.6	6.5	1.8	7040
4-560MA4	1800	206.1	95.5	0.88	1500	0.6	6.5	1.8	7340
4-560MB4	2000	228.8	95.6	0.88	1500	0.6	6.5	1.8	7640
4-630SA4	2240	255.9	95.7	0.88	1500	0.6	6.5	1.8	8920
4-630SB4	2500	285.4	95.8	0.88	1500	0.6	6.5	1.8	9340
4-630MA4	2800	319.3	95.9	0.88	1500	0.6	6.5	1.8	9750
4-630MB4	3150	358.8	96.0	0.88	1500	0.6	6.5	1.8	10040
4-355MA6	140	18.3	92.2	0.80	1000	0.7	6.0	1.8	1910
4-355MB6	160	20.6	92.3	0.81	1000	0.7	6.0	1.8	1960
4-355LA6	185	23.5	92.4	0.82	1000	0.7	6.0	1.8	2010
4-355LB6	200	25.3	92.6	0.82	1000	0.7	6.0	1.8	2060
4-355LC6	220	27.8	92.8	0.82	1000	0.7	6.0	1.8	2110
4-400MA6	250	31.5	93.0	0.82	1000	0.7	6.0	1.8	2560
4-400MB6	280	35.2	93.3	0.82	1000	0.7	6.0	1.8	2630
4-400LA6	315	39.5	93.5	0.82	1000	0.7	6.0	1.8	2720
4-400LB6	355	43.9	93.7	0.83	1000	0.7	6.0	1.8	2810
4-450SB6	400	49.4	93.8	0.83	1000	0.7	6.0	1.8	3540
4-450MA6	450	55.4	94.1	0.83	1000	0.7	6.0	1.8	3670
4-450MB6	500	61.5	94.3	0.83	1000	0.7	6.0	1.8	3880
4-450LA6	560	68.0	94.4	0.84	1000	0.7	6.0	1.8	3990
4-560SB6	1000	119.7	95.1	0.85	1000	0.7	6.5	1.8	6970
4-560MA6	1120	133.2	95.2	0.85	1000	0.7	6.5	1.8	7270
4-560MB6	1250	146.8	95.3	0.86	1000	0.7	6.5	1.8	7570
4-560LA6	1400	164.2	95.4	0.86	1000	0.7	6.5	1.8	7870
4-630SB6	1600	187.5	95.5	0.86	1000	0.7	6.5	1.8	9260
4-630MA6	1800	210.7	95.6	0.86	1000	0.7	6.5	1.8	9670
4-630MB6	2000	233.8	95.7	0.86	1000	0.7	6.5	1.8	9960
4-630LA6	2240	261.6	95.8	0.86	1000	0.7	6.5	1.8	10250

			%	Cos φ	/	$\frac{M_s}{M_{nom}}$	$\frac{l_{ki}}{l_{nom}}$	$\frac{M_{max}}{M_{nom}}$	
4-400SB8	160	21.6	92.4	0.77	750	0.8	5.5	1.8	2460
4-400MA8	185	24.7	92.5	0.78	750	0.8	5.5	1.8	2530
4-400MB8	200	26.6	92.7	0.78	750	0.8	5.5	1.8	2600
4-400LA8	220	29.2	92.9	0.78	750	0.8	5.5	1.8	2690
4-400LB8	250	32.7	93.0	0.79	750	0.8	5.5	1.8	2780
4-450SB8	280	36.6	93.2	0.79	750	0.8	5.5	1.8	3500
4-450MA8	315	41.1	93.4	0.79	750	0.8	5.5	1.8	3630
4-450MB8	355	46.2	93.5	0.79	750	0.8	5.5	1.8	3840
4-450LA8	400	51.3	93.7	0.80	750	0.8	5.5	1.8	3950
4-560SB8	710	88.1	94.6	0.82	750	0.7	6.0	1.8	6920
4-560MA8	800	99.1	94.7	0.82	750	0.7	6.0	1.8	7220
4-560MB8	900	108.8	94.8	0.84	750	0.7	6.0	1.8	7520
4-560LA8	1000	120.7	94.9	0.84	750	0.7	6.0	1.8	7820
4-630SB8	1120	135.1	95.0	0.84	750	0.7	6.0	1.8	9200
4-630MA8	1250	150.6	95.1	0.84	750	0.7	6.0	1.8	9610
4-630MB8	1400	168.5	95.2	0.84	750	0.7	6.0	1.8	9900
4-630LA8	1600	192.3	95.3	0.84	750	0.7	6.0	1.8	10190
4-400MA10	140	20.4	91.5	0.72	600	0.8	5.5	1.8	2480
4-400MB10	160	22.7	91.6	0.74	600	0.8	5.5	1.8	2570
4-400LA10	185	25.9	91.7	0.75	600	0.8	5.5	1.8	2660
4-400LB10	200	27.9	91.9	0.75	600	0.8	5.5	1.8	2750
4-450SB10	220	30.6	92.1	0.75	600	0.8	5.5	1.8	3470
4-450MA10	250	34.8	92.3	0.75	600	0.8	5.5	1.8	3600
4-450MB10	280	38.8	92.5	0.75	600	0.8	5.5	1.8	3810
4-450LA10	315	43.0	92.8	0.76	600	0.8	5.5	1.8	3920
4-560SB10	560	73.7	93.7	0.78	600	0.7	6.0	1.8	6870
4-560MA10	630	82.9	93.8	0.78	600	0.7	6.0	1.8	7170
4-560MB10	710	93.2	94.0	0.78	600	0.7	6.0	1.8	7470
4-560LA10	800	102.2	94.2	0.80	600	0.7	6.0	1.8	7770
4-630SB10	900	114.8	94.3	0.80	600	0.7	6.0	1.8	9140
4-630MA10	1000	127.4	94.4	0.80	600	0.7	6.0	1.8	9550
4-630MB10	1120	142.4	94.6	0.80	600	0.7	6.0	1.8	9840
4-630LA10	1250	158.6	94.8	0.80	600	0.7	6.0	1.8	10130
4-450SB12	160	24.0	91.6	0.70	500	0.8	5.5	1.8	3450
4-450MA12	185	27.7	91.8	0.70	500	0.8	5.5	1.8	3610
4-450MB12	200	29.9	92.0	0.70	500	0.8	5.5	1.8	3790
4-450LA12	220	31.9	92.2	0.72	500	0.8	5.5	1.8	3900
4-560SB12	450	62.7	93.4	0.74	500	0.7	6.0	1.8	6830
4-560MA12	500	69.4	93.7	0.74	500	0.7	6.0	1.8	7130
4-560MB12	560	75.6	93.8	0.76	500	0.7	6.0	1.8	7430
4-560LA12	630	84.9	93.9	0.76	500	0.7	6.0	1.8	7730
4-630SB12	710	95.6	94.0	0.76	500	0.7	6.0	1.8	9090
4-630MA12	800	107.5	94.2	0.76	500	0.7	6.0	1.8	9500
4-630MB12	900	120.8	94.3	0.76	500	0.7	6.0	1.8	9790
4-630LA12	1000	134.1	94.4	0.76	500	0.7	6.0	1.8	10080

			%	$\cos \varphi$	/	$\frac{M_s}{M_{nom}}$	$\frac{I_{ki}}{I_{nom}}$	$\frac{M_{max}}{M_{nom}}$	
A4-355SA4	185	22.5	93.1	0.85	1500	0.8	6.5	1.8	1660
A4-355SB4	200	24.3	93.2	0.85	1500	0.8	6.5	1.8	1700
A4-355MA4	220	26.7	93.3	0.85	1500	0.8	6.5	1.8	1750
A4-355MB4	250	30.3	93.4	0.86	1500	0.8	6.5	1.8	1800
A4-355LA4	280	33.5	93.5	0.86	1500	0.8	6.5	1.8	1850
A4-355LB4	315	37.7	93.6	0.86	1500	0.8	6.5	1.8	1900
A4-400SA4	355	42.3	93.8	0.86	1500	0.8	6.5	1.8	2200
A4-400SB4	400	47.6	94.0	0.86	1500	0.8	6.5	1.8	2270
A4-400MA4	450	53.5	94.2	0.86	1500	0.8	6.5	1.8	2340
A4-400MB4	500	58.6	94.3	0.87	1500	0.8	6.5	1.8	2410
A4-400LA4	560	65.5	94.5	0.87	1500	0.8	6.5	1.8	2500
A4-450SA4	630	73.5	94.8	0.87	1500	0.8	6.5	1.8	3080
A4-450SB4	710	82.7	95.0	0.87	1500	0.8	6.5	1.8	3170
A4-450MA4	800	93.0	95.1	0.87	1500	0.8	6.5	1.8	3300
A4-450MB4	900	104.6	95.2	0.87	1500	0.8	6.5	1.8	3510
A4-560SA4	1600	180.8	95.7	0.89	1500	0.6	6.5	1.8	5690
A4-560SB4	1800	203.2	95.8	0.89	1500	0.6	6.5	1.8	5990
A4-560MA4	2000	225.5	95.9	0.89	1500	0.6	6.5	1.8	6290
A4-560MB4	2240	252.3	96.0	0.89	1500	0.6	6.5	1.8	6590
A4-630SA4	2500	281.3	96.1	0.89	1500	0.6	6.5	1.8	7770
A4-630SB4	2800	314.7	96.2	0.89	1500	0.6	6.5	1.8	8190
A4-630MA4	3150	353.7	96.3	0.89	1500	0.6	6.5	1.8	8600
A4-630MB4	3550	398.2	96.4	0.89	1500	0.6	6.5	1.8	8890
A4-355MA6	160	20.8	92.6	0.80	1000	0.8	6.0	1.8	1710
A4-355MB6	185	24.0	92.7	0.80	1000	0.8	6.0	1.8	1760
A4-355LA6	200	25.3	92.8	0.82	1000	0.8	6.0	1.8	1810
A4-355LB6	220	27.8	93.0	0.82	1000	0.8	6.0	1.8	1860
A4-355LC6	250	31.4	93.3	0.82	1000	0.8	6.0	1.8	1910
A4-400MA6	280	34.7	93.5	0.83	1000	0.8	6.0	1.8	2290
A4-400MB6	315	39.0	93.7	0.83	1000	0.8	6.0	1.8	2360
A4-400LA6	355	43.8	93.9	0.83	1000	0.8	6.0	1.8	2450
A4-400LB6	400	49.3	94.0	0.83	1000	0.8	6.0	1.8	2540
A4-450SB6	450	54.7	94.3	0.84	1000	0.8	6.0	1.8	3120
A4-450MA6	500	59.9	94.5	0.85	1000	0.8	6.0	1.8	3250
A4-450MB6	560	66.9	94.7	0.85	1000	0.8	6.0	1.8	3460
A4-450LA6	630	75.2	94.8	0.85	1000	0.8	6.0	1.8	3570
4-560SB6	1120	131,4	95,4	0,86	1000	0,7	6,5	1,8	5920
4-560MA6	1250	146,5	95,5	0,86	1000	0,7	6,5	1,8	6220
4-560MB6	1400	163,9	95,6	0,86	1000	0,7	6,5	1,8	6520
4-560LA6	1600	187,1	95,7	0,86	1000	0,7	6,5	1,8	6820
4-630SB6	1800	210,2	95,8	0,86	1000	0,7	6,5	1,8	8110
4-630MA6	2000	233,4	95,9	0,86	1000	0,7	6,5	1,8	8520
4-630MB6	2240	261,1	96,0	0,86	1000	0,7	6,5	1,8	8810
4-630LA6	2500	291,1	96,1	0,86	1000	0,7	6,5	1,8	9100

			%	Cos φ	/	$\frac{M_s}{M_{nom}}$	$\frac{I_{ki}}{I_{nom}}$	$\frac{M_{max}}{M_{nom}}$	
4-400SB8	185	25,0	92,5	0,77	750	0,8	5,5	1,8	2190
4-400MA8	200	26,6	92,7	0,78	750	0,8	5,5	1,8	2260
4-400MB8	220	29,2	92,9	0,78	750	0,8	5,5	1,8	2330
4-400LA8	250	32,7	93,0	0,79	750	0,8	5,5	1,8	2420
4-400LB8	280	36,6	93,2	0,79	750	0,8	5,5	1,8	2510
4-450SB8	315	40,6	93,4	0,80	750	0,8	5,5	1,8	3080
4-450MA8	355	45,7	93,5	0,80	750	0,8	5,5	1,8	3210
4-450MB8	400	51,3	93,7	0,80	750	0,8	5,5	1,8	3420
4-450LA8	450	57,0	93,8	0,81	750	0,8	5,5	1,8	3530
4-560SB8	800	96,8	94,7	0,84	750	0,7	6,5	1,8	5870
4-560MA8	900	108,8	94,8	0,84	750	0,7	6,5	1,8	6170
4-560MB8	1000	120,7	94,9	0,84	750	0,7	6,0	1,8	6470
4-560LA8	1120	135,1	95,0	0,84	750	0,7	6,0	1,8	6770
4-630SB8	1250	150,6	95,1	0,84	750	0,7	6,0	1,8	8050
4-630MA8	1400	168,5	95,2	0,84	750	0,7	6,0	1,8	8460
4-630MB8	1600	192,3	95,3	0,84	750	0,7	6,0	1,8	8750
4-630LA8	1800	213,6	95,4	0,85	750	0,7	6,0	1,8	9040
4-400MA10	160	22,7	91,5	0,74	600	0,8	5,5	1,8	2210
4-400MB10	185	25,9	91,7	0,75	600	0,8	5,5	1,8	2300
4-400LA10	200	27,6	91,9	0,76	600	0,8	5,5	1,8	2390
4-400LB10	220	29,9	92,1	0,77	600	0,8	5,5	1,8	2480
4-450SB10	250	33,4	92,3	0,78	600	0,8	5,5	1,8	3050
4-450MA10	280	37,3	92,5	0,78	600	0,8	5,5	1,8	3180
4-450MB10	315	41,4	92,6	0,79	600	0,8	5,5	1,8	3390
4-450LA10	355	46,6	92,8	0,79	600	0,8	5,5	1,8	3500
4-560SB10	630	80,8	93,8	0,80	600	0,7	6,0	1,8	5820
4-560MA10	710	88,6	94,0	0,82	600	0,7	6,0	1,8	6120
4-560MB10	800	99,7	94,2	0,82	600	0,7	6,0	1,8	6420
4-560LA10	900	112,0	94,3	0,82	600	0,7	6,0	1,8	6720
4-630SB10	1000	124,3	94,4	0,82	600	0,7	6,0	1,8	7990
4-630MA10	1120	138,9	94,6	0,82	600	0,7	6,0	1,8	8400
4-630MB10	1250	154,7	94,8	0,82	600	0,7	6,0	1,8	8690
4-630LA10	1400	173,7	94,9	0,82	600	0,7	6,0	1,8	8980
4-450SB12	185	27,2	90,9	0,72	500	0,8	5,5	1,8	3030
4-450MA12	200	29,3	91,1	0,72	500	0,8	5,5	1,8	3190
4-450MB12	220	31,7	91,4	0,73	500	0,8	5,5	1,8	3370
4-450LA12	250	35,9	91,7	0,73	500	0,8	5,5	1,8	3480
4-560SB12	500	65,0	93,7	0,79	500	0,7	6,0	1,8	5780
4-560MA12	560	72,7	93,8	0,79	500	0,7	6,0	1,8	5080
4-560MB12	630	81,7	93,9	0,79	500	0,7	6,0	1,8	5380
4-560LA12	710	92,0	94,0	0,79	500	0,7	6,0	1,8	5680
4-630SB12	800	103,4	94,2	0,79	500	0,7	6,0	1,8	7940
4-630MA12	900	116,3	94,3	0,79	500	0,7	6,0	1,8	8350
4-630MB12	1000	129,0	94,4	0,79	500	0,7	6,0	1,8	8640
4-630LA12	1120	144,4	94,5	0,79	500	0,7	6,0	1,8	8930

Степень защиты IP 54

Климатическое исполнение: У2

Исполнение: IM1001.

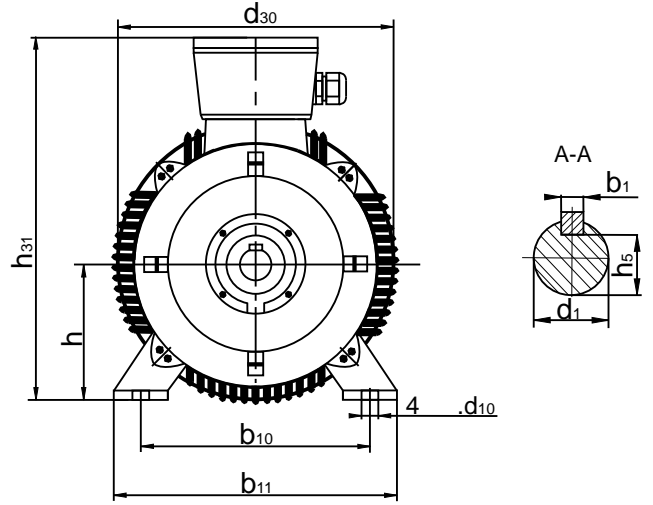
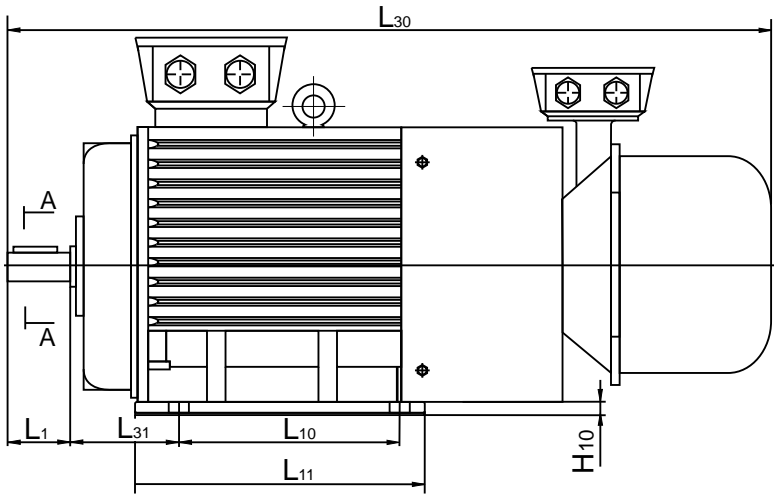
Частота тока 50 Гц.

11

			/	%	Cos φ	Mmax Mnom	Ротор			2'	
							Напряж., В	А			
2-200LA-4	18.5	36.7	1439	89.0	0.86	3.0	247	47.5	94	0.51	277
2-200LB-4	22	43.1	1448	90.0	0.86	3.0	293	47	94	0.54	290
2-225MB-4	30	57.6	1442	91.0	0.87	3.0	360	51.5	98	0.93	350
2-250MA-4	37	70.6	1448	91.5	0.86	3.0	289	79	98	1.29	480
2-250MB-4	45	85.9	1453	91.5	0.87	3.0	340	81	100	1.43	500
2-280SA-4	55	103.8	1457	91.5	0.88	3.0	485	70	100	2.27	620
2-280MA-4	75	140	1485	92.5	0.88	3.0	354	128	103	2.89	720
2-315SA-4	90	162	1485	92.5	0.86	3.0	525	104	103	4.65	1060
2-315MA-4	110	201	1485	93.0	0.86	3.0	525	127	103	5.22	1080
2-315MB-4	132	240	1485	93.2	0.86	3.0	601	133	106	5.68	1125
2-355MA-4	160	286	1483	93.3	0.87	3.0	352	277	106	11.54	1650
2-355MB-4	185	326	1483	93.5	0.87	3.0	348	294	106	12.58	1723
2-355LA-4	200	355	1486	94.0	0.87	3.3	422	288	106	13.04	1740
2-355LB-4	220	389	1486	94.0	0.87	3.3	470	285	106	14.20	1825
2-355LBA-4	250	444	1487	94.0	0.87	3.5	528	287	108	15.13	1900
2-355LBB-4	280	495	1488	94.0	0.87	3.5	604	281	108	16.98	2115
2-400MA-4	280	512	1488	94.2	0.86	3.5	545	311	108	21.51	2721
2-400MB-4	315	566	1489	94.2	0.86	3.5	595	320	108	23.54	2823
2-400MBA-4	355	631	1489	94.5	0.87	3.5	674	318	108	26.07	2960
2-400MBB-4	400	716	1489	94.5	0.87	3.5	776	311	108	28.35	3082
2-400LA-4	450	795	1490	94.8	0.89	2.5	847	320	108	33.01	3295
2-450SA-4	500	858	1492	95.2	0.89	2.8	722	412	108		
2-450SB-4	560	962	1493	95.3	0.89	2.8	867	384	111		
2-450SBA-4	630	1076	1493	95.4	0.90	2.8	878	427	111		
2450SBB-4	710	1219	1494	95.5	0.90	2.8	1085	389	111		
2450SCA-4	800	1361	1493	95.6	0.90	2.8	1121	424	111		
2-200LA-6	15	31.8	955	88.5	0.81	2.8	198	48	88	0.67	280
2-225MA-6	18.5	38.3	955	88.5	0.83	2.8	187	62.5	88	0.92	330
2-225MB-6	22	45	964	89.5	0.83	2.8	224	61	88	1.03	350
2-250MA-6	30	60.3	966	90.0	0.84	2.8	282	66	91	1.80	480
2-250MB-6	37	73.9	967	90.5	0.84	2.8	331	69	91	1.95	510
2-280SA-6	45	87.9	969	91.5	0.85	2.8	362	76	94	3.06	620
2-280MA-6	55	106.9	972	92.0	0.85	2.8	423	80	94	3.40	670
2-315SA-6	75	142	989	93.0	0.85	2.8	419	108	98	7.47	930

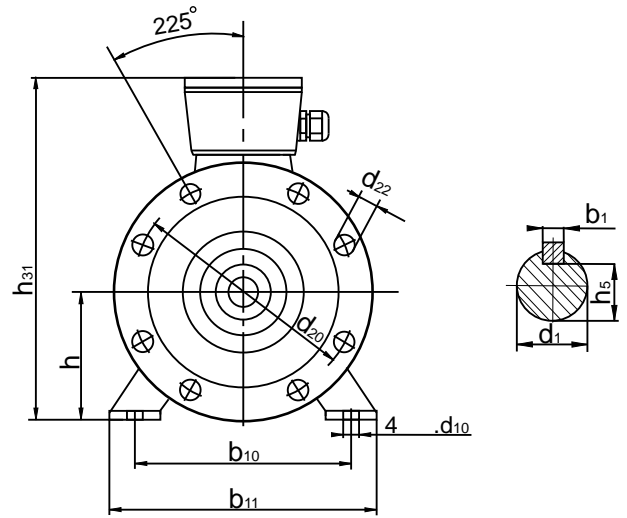
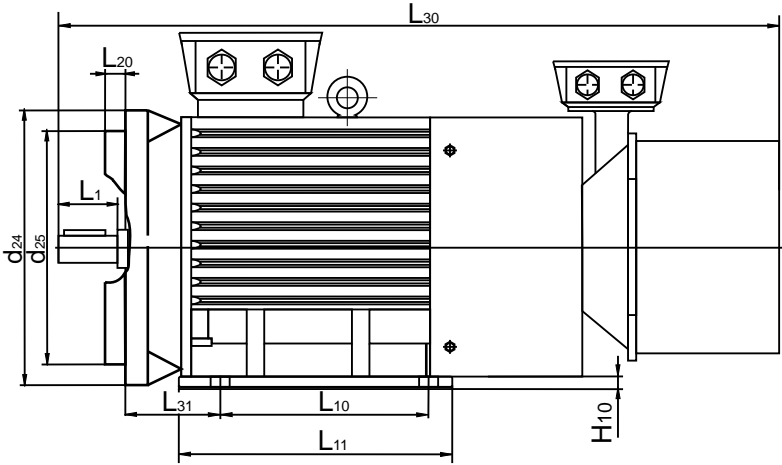
				%	Cos φ	Mmax Mном	Ротор				
							Напряж., В	А			
2-315MA-6	90	171	991	93.5	0.85	2.8	516	105	98	8.70	1050
2-315MB-6	110	207	991	93.5	0.85	2.8	611	108	98	9.86	1205
2-355MA-6	132	246	988	92.8	0.86	2.5	301	269	102	14.54	1630
2-355MB-6	160	294	988	93.0	0.86	2.5	331	296	102	15.73	1703
2-355LA-6	185	341	990	93.3	0.86	2.5	390	290	102	17.52	1825
2-355LB-6	200	370	990	93.5	0.86	2.8	442	276	102	19.31	1923
2-355LBA-6	220	404	991	93.6	0.86	2.8	474	283	102	20.50	1990
2-355LBB-6	250	459	991	93.8	0.86	3.0	553	273	105	22.89	2110
2-400MA-6	250	447	991	94.8	0.85	3.0	545	274	105	30.76	2698
2-400MB-6	280	495	991	94.8	0.86	3.0	578	290	105	32.75	2775
2-400MBA-6	315	557	992	95.0	0.86	3.0	655	287	105	36.07	2889
2-400MBB-6	355	629	992	95.0	0.86	3.0	736	288	105	39.38	3012
2-400LA-6	400	707	993	95.2	0.86	2.8	870	274	105	46.18	3261
2-400LB-6	450	788	993	95.2	0.86	2.8	958	280	105	51.49	3429
2-450SA-6	500	879	994	95.3	0.87	2.8	972	306	105		
2-450SB-6	560	982	994	95.4	0.87	2.8	1080	308	108		
2-450SBA-6	630	1101	994	95.5	0.87	2.8	1216	308	108		
2-450SBB-6	710	1243	994	95.6	0.87	2.8	1390	303	108		
2-200LA-8	11	26.6	699	86.0	0.73	2.4	152	46	82	0.66	279
2-225MA-8	15	34.5	706	88.0	0.75	2.4	169	56	86	1.01	330
2-225MB-8	18.5	42.1	712	89.0	0.75	2.4	211	54	86	1.17	360
2-250MA-8	22	48.1	710	89.0	0.78	2.4	210	65.5	86	1.77	480
2-250MB-8	30	65.3	713	89.5	0.77	2.4	270	69	90	2.02	510
2-280SA-8	37	79	715	91.0	0.79	2.4	281	81.5	90	2.97	640
2-280MA-8	45	92.9	725	92.0	0.80	2.4	359	76	93	3.73	720
2-315SA-8	55	113	740	92.2	0.79	2.4	339	98	93	7.47	970
2-315MA-8	75	150	741	92.5	0.79	2.4	432	105	96	9.06	1010
2-315MB-8	90	182	742	92.6	0.79	2.4	528	102	96	10.39	1060
2-315LA-8	110	220	743	92.6	0.79	2.4	635	104	96	10.10	1352
2-355MA-8	110	221	740	92.0	0.79	2.4	271	250	96	15.01	1485
2-355MB-8	132	265	741	92.4	0.79	2.5	316	256	99	16.72	1565
2-355LA-8	160	318	742	92.5	0.79	2.5	379	258	99	19.53	1640
2-355LB-8	185	368	742	92.6	0.79	2.6	447	253	99	22.34	1703
2-355LBA-8	200	392	743	93.0	0.79	2.6	475	256	99	23.59	1731
2-355LBB-8	220	436	743	93.0	0.79	2.6	543	246	99	26.40	1792
2-400MA-8	220	428	742	94.2	0.77	2.8	422	313	99	33.92	2785
2-400MB-8	250	485	743	94.2	0.77	2.8	475	315	102	37.91	2929
2-400MBA-8	280	548	743	94.2	0.77	2.8	542	308	102	41.92	3061
2-400LA-8	315	623	744	94.5	0.77	2.8	633	297	102	45.24	3194
2-400LB-8	355	694	744	94.5	0.78	2.8	691	306	102	49.23	3343
2-400LBA-8	400	775	744	94.5	0.78	2.8	760	313	102	53.88	3513

	-	-	/	%	Cos φ	Mmax Mnom	Ротор		'	2'	'
							Напряж., В	А'			
2-450SA-8	400	776	745	94.6	0.79	2.8	704	337	102		
2-450SB-8	450	863	745	94.7	0.79	2.8	775	345	102		
2-450SBA-8	500	958	745	94.8	0.79	2.8	861	344	102		
2-450SBB-8	560	1072	745	95.0	0.79	2.8	969	342	105		
2-315SA-10	45	97	593	92.0	0.73	2.4	334	81	93	6.42	1025
2-315MA-10	55	119	593	92.3	0.73	2.4	409	81	93	7.13	1086
2-315MB-10	75	137	594	92.5	0.73	2.4	566	79	96	9.09	1222
2-315LA-10	90	193	594	92.5	0.73	2.4	672	80	96	9.98	1304
2-355MA-10	90	192	592	92.5	0.73	2.5	248	221	96	15.22	1389
2-355MB-10	110	235	593	92.6	0.73	2.5	306	217	96	18.03	1545
2-355LA-10	132	282	593	92.8	0.73	2.6	372	214	99	21.15	1711
2-355LB-10	160	339	594	93.0	0.73	2.6	434	222	99	23.96	1873
2-400MA-10	185	382	594	93.5	0.75	2.8	401	276	99	38.58	2829
2-400MB-10	200	412	594	93.5	0.75	2.8	435	275	99	41.56	2924
2-400MBA-10	220	450	594	93.5	0.75	2.8	474	277	99	45.28	3044
2-400LA-10	250	513	595	94.0	0.75	2.8	547	273	102	51.24	3230
2-400LB-10	280	573	595	94.0	0.75	2.8	608	275	102	56.44	3402
2-400LBA-10	315	647	595	94.0	0.75	2.8	684	274	102	62.40	3594
2-450SA-10	355	712	596	94.5	0.76	2.6	670	314	102		
2-450SB-10	400	796	596	94.6	0.77	2.6	766	310	102		
2-450SBA-10	450	882	596	94.7	0.77	2.6	803	333	102		
2-450SBB-10	500	500	596	94.8	0.78	2.6	894	332	102		
2-400MA-12	132	284	494	93.2	0.72	2.5	407	193	99	35.95	2716
2-400MB-12	160	345	494	93.2	0.72	2.5	498	191	99	42.65	2917
2-400MBA-12	185	396	495	93.5	0.72	2.5	561	196	99	47.11	3055
2-400LA-12	200	414	494	93.5	0.73	2.5	587	203	99	51.58	3201
2-400LB-12	220	467	495	93.5	0.73	2.5	670	195	99	56.05	3340
2-400LBA-12	250	528	495	93.5	0.73	2.5	749	198	102	62.00	3533
2-450SA-12	250	519	496	93.6	0.74	2.0	594	249	102		
2-450SB-12	280	582	496	93.7	0.74	2.0	679	244	102		
2-450SBA-12	315	653	496	93.8	0.74	2.2	794	235	102		
2-450SBB-12	355	738	496	94.0	0.74	2.2	912	230	102		
2-450SCA-12	400	819	496	94.2	0.75	2.1	953	248	102		



I M 1001

	b_{10}	L_{10}	L_{31}	d_1	L_1	b_1	h_5	h	d_{10}	b_{11}	d_{30}	h_{10}	h_{31}	L_{11}	L_{30}
2-200L	318	305	133	55	110	16	49	200	19	395	420	25	530	375	1030
2-225M	356	311	149	60	140	18	53	225	19	435	470	28	585	400	1100
2-250M	406	349	168	65	140	18	58	250	24	490	510	30	640	450	1250
2-280S	457	368	190	75	140	20	67,5	280	24	550	580	40	680	540	1300
2-280M	457	419	190	75	140	20	67,5	280	24	550	580	40	680	540	1350
2-315S	508	406	216	80	170	22	71	315	28	635	645	45	845	680	1610
2-315M	508	457	216	80	170	22	71	315	28	635	645	45	845	680	1720
2-315L	508	508	216	80	170	22	71	315	28	635	645	45	845	680	1785
2-355M	610	560	254	95	170	25	86	355	28	730	710	52	1010	750	1980
2-355L	610	630	254	95	170	25	86	355	28	730	710	52	1010	750	1980
2-400M	686	630	280	110	210	28	100	400	35	806	856	45	1080	1090	2420
2-400L	686	710	280	120	210	32	109	400	35	806	856	45	1080	1090	2420
2-450	800	1000	280	130	210	32	119	450	42	990	960	40	1380		2900



I M 2001

	b ₁₀	L ₁₀	L ₃₁	d ₁	L ₁	b ₁	h ₅	h	d ₁₀	d ₂₀	d ₂₅	d ₂₄	d ₂₂	L ₂₀	b ₁₁	h ₁₀	h ₃₁	L ₁₁	L ₃₀
2-200L	318	305	133	55	110	16	49	200	19	350	300	400	19	5	395	25	530	375	1030
2-225M	356	311	149	60	140	18	53	225	19	400	350	450	19	5	435	28	585	400	1100
2-250M	406	349	168	65	140	18	58	250	24	500	450	550	19	5	490	30	640	450	1250
2-280S	457	368	190	75	140	20	67,5	280	24	500	450	550	19	5	550	40	680	540	1300
2-280M	457	419	190	75	140	20	67,5	280	24	500	450	550	19	5	550	40	680	540	1350
2-315S	508	406	216	80	170	22	71	315	28	600	550	660	24	6	635	45	845	680	1610
2-315M	508	457	216	80	170	22	71	315	28	600	550	660	24	6	635	45	845	680	1720
2-315L	508	508	216	80	170	22	71	315	28	600	550	660	24	6	635	45	845	680	1785
2-355M	610	560	254	95	170	25	86	355	28	740	680	800	24	6	730	52	1010	750	1860
2-355L	610	630	254	95	170	25	86	355	28	740	680	800	24	6	730	52	1010	750	1980
2-400M	686	630	280	110	210	28	100	400	35	940	880	1000	28	6	806	45	1080	1090	2420
2-400L	686	710	280	120	210	32	109	400	35	940	880	1000	28	6	806	45	1080	1090	2420
2-450	800	1000	280	130	210	32	119	450	42	1080	1000	1150	28	6	990	40	1380	1300	2900

Степень защиты IP23
Исполнение: IM1001.

Климатическое исполнение: УЗ, ТЗ
Частота тока 50 Гц.

14

				%	Cos φ	Mmax Mном	Ротор					
							Напряж., В	А				
5	200M-4	30	57.7	1439	89	0.88	3	255	76	91	1.82	280
5	200L-4	37	70.2	1448	89	0.88	3	316	74	91	2.21	329
5	200MA-4	45	86.7	1442	89	0.88	2.5	240	120	94	2.6	370
5	200MB-4	55	104.7	1448	90	0.88	2.5	288	121	94	2.96	400
5	250S-4	75	141.1	1453	90.5	0.89	2.6	449	105	97	5.35	460
5	250M-4	90	167.9	1457	91	0.89	2.6	449	107	97	6	550
5	280S-4	110	201.3	1458	91.5	0.89	3	349	196	100	9.1	680
5	280M-4	132	239.0	1463	92.5	0.89	3	419	194	100	10.39	750
5	315S-4	160	290	1465	92.5	0.87	2.7	340	281	87	4.2	962
5	315MA-4	185	330	1465	92.8	0.87	2.9	381	292	87	4.7	1070
5	315MB-4	200	359	1470	93.3	0.87	2.9	440	270	87	5.1	1150
5	315MC-4	220	390	1475	93.3	0.87	2.7	470	279	90	5.6	1280
5	355MA-4	250	446	1470	93.5	0.87	2.3	436	352	95	10.5	1240
5	355MB-4	280	496	1470	93.8	0.89	2.3	509	336	98	11.5	1360
5	355MC-4	315	556	1475	94.0	0.89	2.3	565	338	98	12.1	1430
5	355LA-4	355	625	1475	94.3	0.89	2.3	611	353	98	13.1	1640
5	400SC-4	400	716	1473	94.3	0.90	2.5	611	398	106	17.9	2390
5	400LA-4	450	806	1476	94.3	0.90	2.5	708	386	106	20.1	2570
5	400LB-4	500	895	1476	94.3	0.90	2.5	765	397	106	21.5	2660
5	200M-6	18.5	39	949	86.5	0.81	2.8	187	65	85	2.17	292
5	200L-6	22	45.5	955	87.5	0.82	2.8	224	63	85	2.55	318
5	225 A-6	30	59.4	955	87.5	0.85	2.2	227	86	88	3.237	360
5	225 B-6	37	73.1	964	89.0	0.85	2.2	287	82	88	3.736	400
5	250S-6	45	88	966	89.0	0.85	2.2	307	93	91	6.61	465
5	250 -6	55	105.7	967	89.5	0.85	2.2	359	97	91	7.52	490
5	280S-6	75	141.8	969	90.5	0.88	2.5	392	121	94	11.52	660
5	280 -6	90	166.7	972	91.0	0.89	2.5	481	118	94	14.05	780
5	315S-6	110	208	975	92.5	0.86	2.0	250	265	87	5.3	965
5	315 A-6	132	248	975	92.8	0.86	2.2	303	263	87	6.1	1140
5	315 B-6	160	302	980	93.3	0.86	2.5	406	239	90	7.5	1250
5	355 A-6	185	343	975	93.3	0.86	2.2	247	465	90	12.5	1558

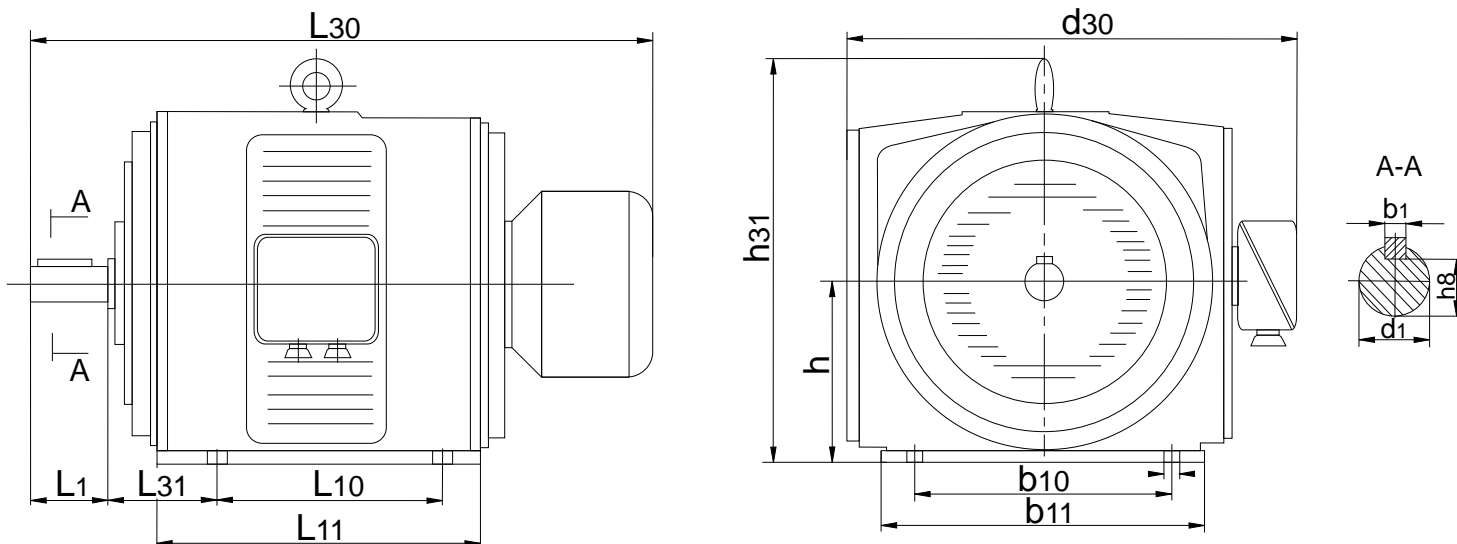
			/	%	Cos φ	Mmax Mnom	Ротор			2'		
							Напряж., В	А				
5	355 B-6	200	369	975	93.5	0.86	2.2	270	457	90	13.3	1635
5	355 C-6	220	405	975	93.5	0.87	2.2	292	465	90	14.2	1670
5	355 D-6	250	457	980	93.8	0.87	2.2	335	460	90	15.3	1820
5	355LA-6	280	510	980	93.8	0.87	2.2	379	453	90	16.7	1840
5	400SA-6	315	580	982	93.8	0.88	2.2	518	373	103	22.6	2270
5	400SA-6C	320	589	982	93.8	0.88	2.0	518	379	103	22.6	2270
5	400SB-6	355	653	983	93.8	0.88	2.2	579	375	103	24.3	2340
5	400SC-6	400	735	984	94.0	0.88	2.2	656	372	103	26.0	2420
5	400LA-6	450	827	985	94.0	0.88	2.2	738	372	103	30.3	2650
5	400LB-6C	480	882	984	94.0	0.88	2.2	758	386	103	31.3	2680
5	400LB-6	500	918	984	94.0	0.88	2.2	758	403	103	31.3	2680
5	200M-8	15	36.1	706	85.0	0.73	2.2	153	64	84	2.142	285
5	200L-8	18.5	44	712	86.0	0.73	2.2	187	64	84	2.52	323
5	225MA-8	22	48.6	710	86.0	0.78	2.0	161	90	84	3.164	350
5	225MB-8	30	65.3	713	87.0	0.79	2.0	200	97	87	3.621	390
5	250S-8	37	78.9	715	87.5	0.79	2.0	218	110	87	6.42	442
5	250M-8	45	95.5	720	88.5	0.79	2.0	264	109	90	7.33	465
5	250MB-8C	55	121	723	89.0	0.76	2.2	308	109	90	9.02	550
5	280S-8	55	114	723	89.0	0.82	2.2	279	125	90	10.55	666
5	280M-8	75	152.1	725	90.0	0.82	2.2	359	131	93	13.71	780
5	315S-8	90	177	725	92.0	0.79	2.0	267	206	90	6.1	945
5	315MA-8	110	216	725	92.5	0.79	2.2	340	195	90	6.8	1110
5	315MA-8C	115	230	725	92.5	0.79	2.2	355	196	90	7.3	1116
5	315MB-8C	130	256	730	92.8	0.79	2.2	416	188	90	8.6	1200
5	315MB-8	132	257	730	92.8	0.79	2.2	417	190	90	8.8	1220
5	355MB-8C	155	303	735	93.3	0.81	2.4	288	330	87	14.6	1645
5	355MB-8	160	312	735	93.3	0.81	2.4	288	341	87	14.6	1645
5	355MC-8C	180	352	735	93.3	0.81	2.4	324	339	87	15.7	1745
5	355MC-8	185	361	735	93.3	0.81	2.4	324	349	87	15.7	1745
5	355MD-8	200	392	735	93.5	0.81	2.4	371	329	88	17.4	1828
5	355LA-8C	210	412	735	93.5	0.81	2.6	410	312	88	19.2	1999
5	355LA-8	220	428	735	93.5	0.81	2.4	410	327	88	19.2	2005
5	355LB-8	250	479	735	93.5	0.80	2.3	446	341	90	19.2	2058
5	355LC-8C	260	496	735	93.5	0.81	2.3	446	356	90	19.2	2058
5	400SA-8	280	548	737	93.5	0.83	2.2	453	375	99	22.6	2290
5	400SA-8C	300	576	737	93.5	0.83	2.2	453	403	99	23.2	2320
5	400SB-8	315	607	737	93.8	0.83	2.0	491	389	99	24.3	2370
5	400SB-8C	320	617	736	93.8	0.83	2.0	491	396	99	24.3	2370
5	400SC-8	355	683	738	94.0	0.83	2.0	589	364	99	28.5	2520

					Cos φ	Mmax Mном	Ротор					
							Напряж., В	А				
5	400LA-8C	380	731	738	94.0	0.84	2.0	618	371	99	29.5	2620
5	400LA-8	400	770	739	94.0	0.84	2.0	655	368	99	31.4	2730
5	400LB-8	450	866	739	94.0	0.84	2.0	737	368	99	34.8	2880
5	400LC-8C	480	924	738	94.0	0.84	2.0	737	393	99	34.8	2900
5	400LC-8	500	962	738	94.0	0.84	2.0	737	410	99	34.8	2900
5	315S-10	55	120	580	90.0	0.74	2.3	210	162	85	5.1	840
5	315S-10C	65	142	580	90.0	0.74	2.3	240	165	85	5.6	900
5	315MA-10	75	163	580	91.5	0.74	2.3	288	160	85	6.4	1100
5	315MB-10	90	192	580	91.5	0.75	2.4	345	158	85	7.6	1160
5	315MB-10C	95	200	580	91.5	0.75	2.4	345	168	85	7.6	1160
5	355MB-10	110	226	585	92.0	0.78	2.2	215	311	90	15.0	1570
5	355MB-10C	115	234	585	92.0	0.78	2.2	215	325	90	15.0	1570
5	355MC-10C	130	263	585	92.3	0.79	2.2	241	328	90	16.0	1670
5	355MC-10	132	266	585	92.3	0.79	2.2	241	333	90	16.0	1670
5	355LA-10C	155	313	585	92.3	0.79	2.2	300	310	90	19.1	1950
5	355LA-10	160	321	585	92.3	0.79	2.2	300	320	90	19.1	1950
5	355LB-10	185	370	590	92.5	0.79	2.2	365	306	90	21.1	2140
5	400SA-10	200	407	586	93.3	0.80	2.0	403	305	97	22.7	2250
5	400SB-10	220	448	587	93.3	0.80	2.0	453	296	97	24.4	2330
5	400SC-10	250	508	588	93.5	0.80	2.0	518	293	99	26.4	2420
5	400SD-10	280	569	588	93.5	0.80	2.0	557	305	99	28.6	2510
5	400LA-10	315	640	589	93.5	0.80	2.0	633	302	99	32.0	2710
5	400LB-10	355	710	589	93.8	0.81	2.0	691	312	99	34.9	2840
5	400LC-10	400	800	589	93.8	0.81	2.0	760	320	99	37.4	2950
5	355MD-12	90	196	485	91.0	0.74	2.0	185	296	90	15.0	1675
5	355LA-12	110	238	485	91.3	0.75	2.0	229	292	90	17.6	1690
5	355LB-12	132	282	485	91.5	0.75	2.0	270	296	90	20.2	1930
5	400SA-12	160	361	489	92.2	0.73	2.0	407	237	97	24.3	2310
5	400SB-12	185	412	489	92.3	0.73	2.0	448	250	97	26.2	2400
5	400SC-12	200	450	490	92.5	0.73	2.2	498	242	97	28.2	2470
5	400LA-12	220	448	491	92.5	0.73	2.2	560	236	97	31.6	2680
5	400LB-12	250	561	491	92.8	0.73	2.2	640	234	99	35.0	2830
5	400LC-12	280	619	491	92.8	0.74	2.0	670	252	99	37.0	2920
5	400LD-12	315	695	491	93.0	0.74	2.0	747	253	99	39.4	3050

ГАБАРИТНЫЕ, УСТАНОВОЧНЫЕ И ПРИСОЕДИНИТЕЛЬНЫЕ РАЗМЕРЫ (мм)

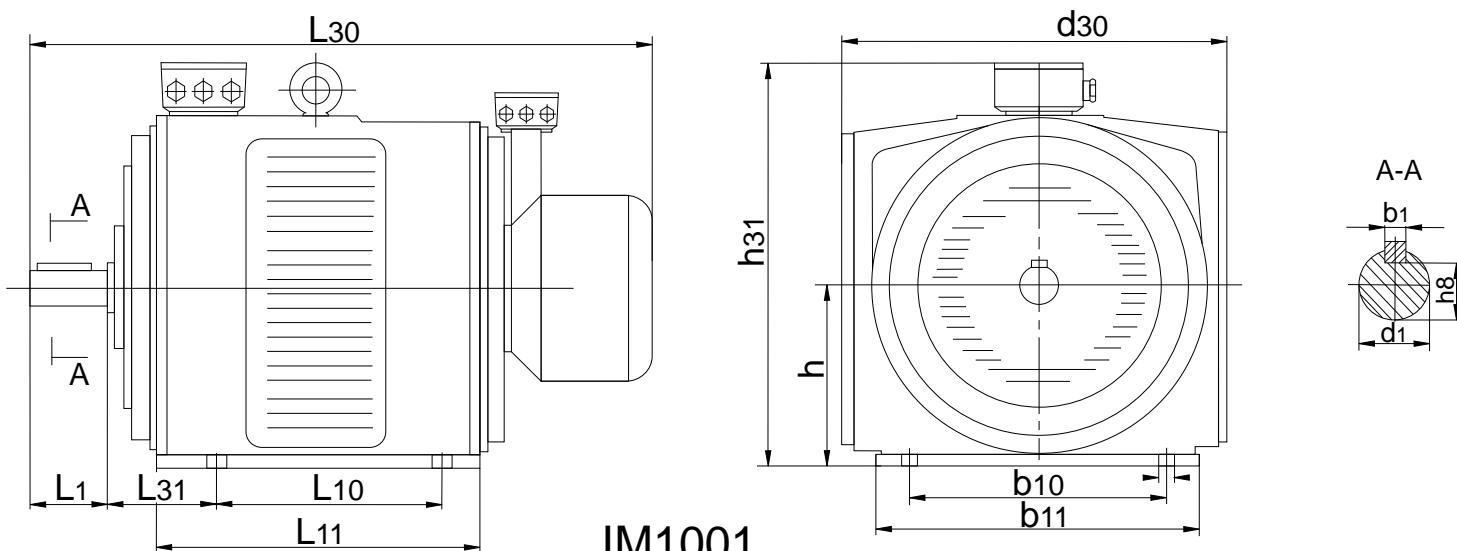
5 200-315

8



5 355-400

9



IM1001

15

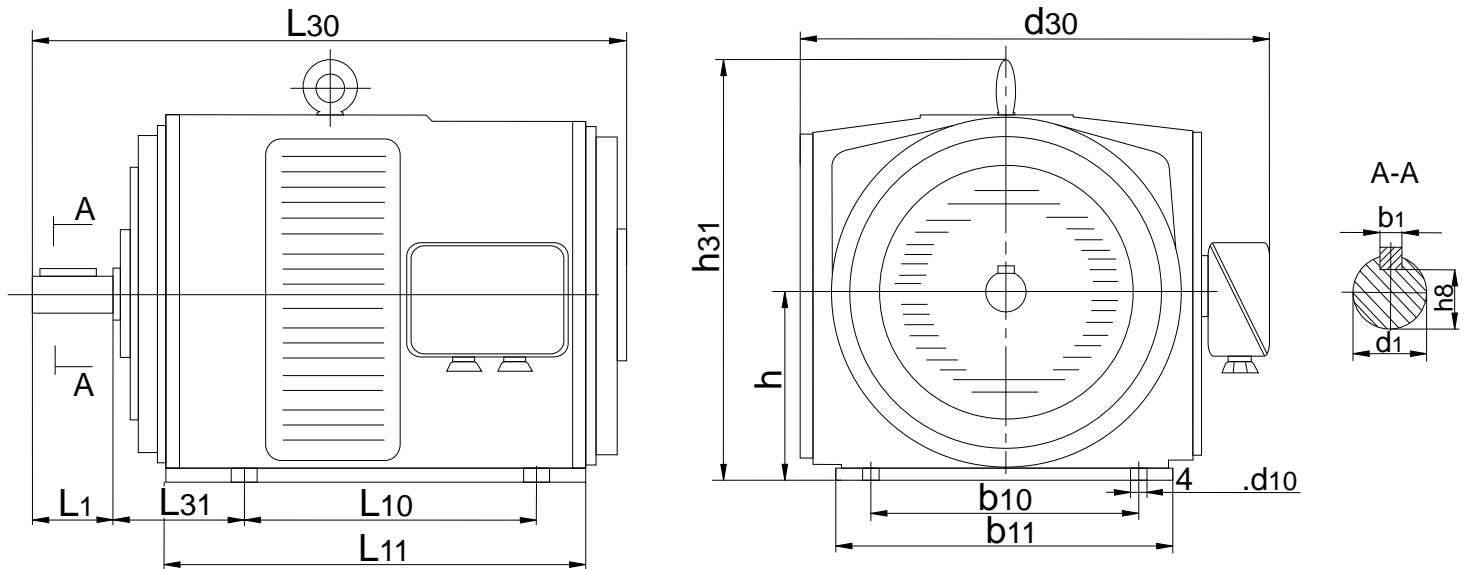
		b10	L10	L31	d1	L1	b1	h8	h	d10	b11	d30	h31	h10	L11	L30
5	200M-4,6,8	318	267	133	60	140	18	53	200	19	400	465	495	25	353	920
5	200L-4,6,8	318	305	133	60	140	18	53	200	19	400	465	495	25	391	960
5	225 -4,6,8	356	311	149	65	140	18	58	225	19	450	520	545	28	393	1060
5	250S-4,6,8	406	311	168	75	140	20	67,5	250	24	510	550	600	30	417	1110
5	250 -4,6,8	406	349	168	75	140	20	67,5	250	24	510	550	600	30	455	1150
5	280S-4,6,8	457	368	190	80	170	22	71	280	24	570	610	655	35	530	1260
5	280 -4,6,8	457	419	190	80	170	22	71	280	24	570	610	655	35	581	1310
5	315S-4,6,8,10	508	406	216	90	170	25	81	315	28	628	665	740	40	661	1435
5	315 A-4,6,8,10	508	457	216	90	170	25	81	315	28	628	665	740	40	754	1530
5	315 B-4,6,8	508	457	216	90	170	25	81	315	28	628	665	740	40	754	1620
5	315 B-10	508	457	216	90	170	25	81	315	28	628	665	740	40	754	1530
5	315 C-4,6,8,10	508	457	216	90	170	25	81	315	28	628	665	740	40	754	1620
5	355 -4,6,8,10,12	610	560	254	100	210	28	90	355	28	756	790	950	40	796	1740
5	355L-4,6,8,10,12	610	630	254	100	210	28	90	355	28	756	790	950	40	796	1850
5	400S-4,6,8,10,12	686	560	280	110	210	28	100	400	35	850	880	1110	50	930	1900
5	400L-4,6,8,10,12	686	710	280	130	210	32	119	400	35	850	880	1200	50	1116	2100

ЭЛЕКТРОДВИГАТЕЛИ ПЕРЕМЕННОГО ТОКА СЕРИИ 5АН АСИНХРОННЫЕ С КОРОТКОЗАМКНУТЫМ РОТОРОМ.

Предназначены для общепромышленного применения. Степень защиты IP23.
Климатическое исполнение: У3, Т3. Частота тока 50 Гц.

ГАБАРИТНЫЕ, УСТАНОВОЧНЫЕ И ПРИСОЕДИНИТЕЛЬНЫЕ РАЗМЕРЫ (ММ).

10



I 1001

16

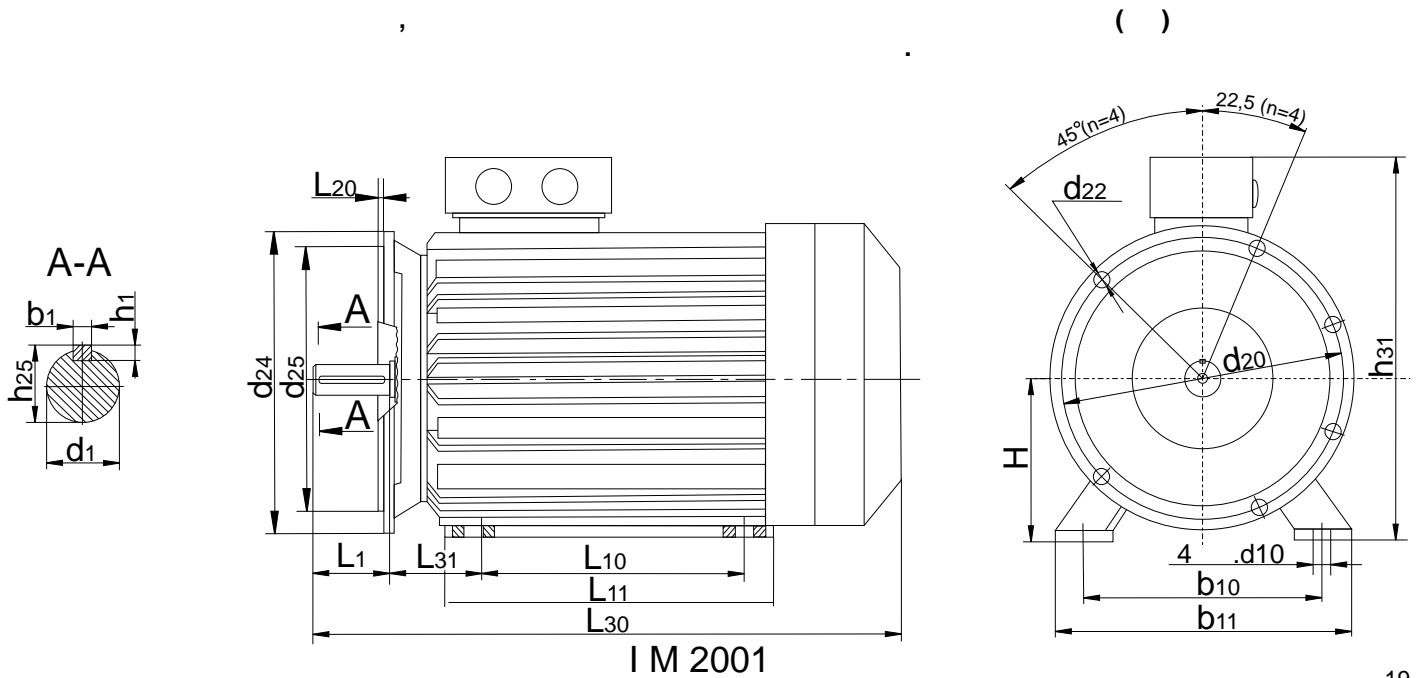
			b ₁₀	L ₁₀	L ₃₁	d ₁	L ₁	b ₁	h ₈	h	d ₁₀	b ₁₁	d ₃₀	h ₃₁	L ₃₀
5	250S	2	406	311	168	65	140	18	58	250	24	510	685	600	930
5	250S	4,6,8	406	311	168	75	140	20	67.5	250	24	510	685	600	930
5	250M	2	406	349	168	65	140	18	58	250	24	510	685	600	960
5	250M	4,6,8	406	349	168	75	140	20	67.5	250	24	510	685	600	960
5	280S	4,6,8	457	368	190	80	170	22	71	280	24	570	790	655	1090
5	280M	2	457	419	190	65	140	18	58	280	24	570	790	655	1090
5	280M	4,6,8	457	419	190	80	170	22	71	280	24	570	790	655	1140
5	315S	2	508	406	216	70	140	20	62.5	315	28	680	982	865	1130
5	315S	4,6,8,10	508	406	216	90	170	25	81	315	28	680	982	865	1160
5	315M	2	508	457	216	70	140	20	62.5	315	28	680	982	865	1240
5	315M	4,6,8,10	508	457	216	90	170	25	81	315	28	680	982	865	1270
5АН355М,Л		2	610	560	254	75	140	20	67.5	355	28	730	1120	1120	1620
5АН355М,Л		4,6,8,10,12	610	560	254	100	210	28	90	355	28	730	1120	1120	1690

5	250S-2	90	3000	167
5	250S-4	75	1500	140,7
5	250S-6	45	1000	87,4
5	250S8	37	750	78,1
5	250M-2	110	3000	200,8
5	250M-4	90	1500	168
5	250M-6	55	1000	105,5
5	250M-8	45	750	94,4
5	280S-4	110	1500	205,3
5	280S-6	75	1000	143,1
5	280S-8	55	750	114,8
5	280M-2	132	3000	240,9
5	280M-4	132	1500	245,1
5	280M-6	90	1000	168,9
5	280M-8	75	750	153,7
5	315S-2	160	3000	292
5	315S-4	160	1500	297
5	315S-6	110	1000	206,6
5	315S-8	90	750	183,1
5	315S-10	55	590	123,4
5	315MA-2	185	3000	337,6
5	315MB-2	200	3000	361,1
5	315MC-2	220	3000	397,2
5	315MD-2	250	3000	460,2
5	315MA-4	185	1500	341,6
5	315MB-4	200	1500	368,1
5	315MC-4	220	1500	404,1
5	315MD-4	250	1500	457,7
5	315MA-6	132	1000	246,5

5	315MB-6	160	1000	297,9
5	315MA-8	110	750	222,3
5	315MB-8	132	750	265,4
5	315MA-10	75	590	165,1
5	315MB-10	90	590	195,6
5	355MB-2	280	3000	514
5	355MC-2	315	3000	572
5	355LA-2	355	3000	642
5	355MB-4	280	1500	506
5	355MC-4	315	1500	564
5	355LA-4	355	1500	634
5	355MA-6	185	1000	343
5	355MB-6	200	1000	371
5	355MC-6	220	1000	404
5	355MD-6	250	1000	458
5	355LA-6	280	1000	513
5	355MB-8	160	750	321
5	355MC-8	185	750	371
5	355MD-8	200	750	399
5	355LA-8	220	750	439
5	355LB-8	250	750	511
5	355MB-10	110	590	232
5	355MC-10	132	590	274
5	355LA-10	160	590	332
5	355LB-10	185	590	383
5	355MD-12	90	490	201
5	355LA-12	110	490	241
5	355LB-12	132	490	289

				%	cos φ	380	I IN	M MN	M MN	IM1001,
3000	/	(2)							
56	0,18	56 2	2700	65,7	0,77	0,55	5,3	2,2	2,2	4,7
56	0,25	56 2	2720	68,0	0,78	0,73	5,3	2,2	2,2	5,1
63	0,37	63 2	2730	69,7	0,81	1,00	5,7	2,2	2,2	5,5
63	0,55	63 2	2770	72,7	0,82	1,40	5,7	2,2	2,3	6,4
71	0,75	71 2	2820	74,0	0,83	1,90	6,1	2,2	2,3	8,5
71	1,1	71 2	2790	77,6	0,83	2,70	6,7	2,2	2,3	9,6
80	1,5	80 2	2830	78,1	0,84	3,60	7,0	2,2	2,3	15,5
80	2,2	80 2	2840	80,6	0,85	5,00	7,0	2,2	2,3	19,5
90	3,0	90L2	2845	83,4	0,86	6,50	7,2	2,2	2,3	25,4
100	4,0	100S2	2870	83,7	0,88	8,40	7,5	2,2	2,3	33
100	5,5	100L2	2870	84,8	0,89	11,0	7,5	2,2	2,3	38
112	7,5	112M2	2880	85,4	0,88	15,2	7,2	2,2	2,4	49
132	11,0	132M2	2900	87,4	0,90	21,8	7,2	2,2	2,3	83
160	15,0	160S2	2925	88,4	0,88	30,0	7,1	2,2	2,4	120
160	18,5	160M2	2925	89,3	0,89	36,3	7,1	2,2	2,4	140
180	22	180S2	2940	89,8	0,90	42,7	7,2	2,0	2,5	170
180	30	180M2	2940	90,7	0,90	56,9	7,3	2,1	2,5	203
200	37	200M2	2940	91,2	0,89	71,0	7,1	2,1	2,4	247
200	45	200L2	2945	91,8	0,89	84,9	7,1	2,1	2,4	255
225	55	225M2	2950	93,5	0,90	100	7,5	2,3	4,0	335
250	75	250S2	2970	94,0	0,89	136	7,5	2,6	4,0	519
250	90	250M2	2970	94,0	0,90	162	7,5	2,7	4,0	519
280	110	280S2	2970	93,0	0,91	190	7,0	2,0	2,7	580
280	132	280M2	2970	93,0	0,91	230	7,0	2,0	2,7	690
315	160	315S2	2965	95,8	0,92	301	7,0	2,6	2,7	1045
315	200	315M2	2973	96,1	0,93	360	7,3	2,0	2,1	1130
355	250	355S2	2980	96,0	0,92	433	7,1	1,8	2,2	1900
355	315	355M2	2980	96,0	0,92	545	7,1	1,8	2,2	1900
1500	/	(4)							
56	0,12	56A4	1325	56,5	0,66	0,50	4,6	2,1	2,2	4,5
56	0,18	56B4	1325	61,2	0,68	0,70	4,9	2,1	2,2	5,1
63	0,25	63A4	1325	64,5	0,73	0,82	5,1	2,1	2,2	5,6
63	0,37	63B4	1325	66,3	0,76	1,12	5,1	2,1	2,2	6,4
71	0,55	71A4	1350	70,0	0,73	1,75	5,4	2,2	2,3	8,2
71	0,75	71B4	1360	71,3	0,77	2,20	5,7	2,2	2,3	9,6
80	1,1	80A4	1375	74,5	0,76	3,04	5,8	2,3	2,3	16
80	1,5	80B4	1390	77,5	0,78	3,95	6,2	2,3	2,3	19,5
90	2,2	90L4	1400	80,0	0,81	5,30	6,8	2,3	2,3	25
100	3,0	100S4	1420	81,4	0,82	7,20	7,0	2,3	2,3	34
100	4,0	100L4	1420	82,8	0,81	9,30	7,0	2,3	2,3	37
112	5,5	112M4	1430	84,1	0,82	12,3	6,6	2,3	2,3	55
132	7,5	132S4	1440	86,0	0,84	16,1	6,7	2,2	2,3	76
132	11,0	132M4	1450	87,1	0,84	23,1	6,8	2,2	2,3	88
160	15,0	160S4	1455	88,7	0,85	30,8	6,8	2,2	2,3	138
160	18,5	160M4	1455	89,8	0,86	37,8	6,8	2,2	2,3	142
180	22	180S4	1465	90,6	0,86	44,4	7,0	2,1	2,4	177
180	30	180M4	1465	91,2	0,86	59,6	6,8	2,1	2,3	190
200	37	200M4	1470	92,0	0,87	73,1	7,0	2,2	2,3	247
200	45	200L4	1465	92,3	0,87	88,4	6,9	2,2	2,4	260
225	55	225M4	1470	92,5	0,87	104	7,5	2,2	3,5	335
250	75	250S4	1470	93,0	0,82	139	7,5	2,5	3,5	519
250	90	250M4	1470	93,0	0,87	169	7,5	2,5	3,5	519
280	110	280S4	1470	93,0	0,91	190	7,0	2,0	2,7	580
280	132	280M4	1470	93,0	0,91	230	7,0	2,0	2,7	690
315	160	315S4	1480	95,0	0,87	279	6,5	1,8	2,2	1045
315	200	315M4	1480	95,0	0,88	343	6,8	2,0	2,4	1130
355	250	355S4	1490	95,3	0,90	443	6,9	2,1	2,2	1900
355	315	355M4	1490	95,3	0,90	558	6,9	2,1	2,2	1900

				%	cos φ	380	I	M	M	IM1001,	
							IN	MN	MN		
1000	/	(6)								
63	0,18	63 6	860	55,5	0,64	0,80	4,1	1,9	2,0	6,4	
63	0,25	63 6	860	58,3	0,65	1,10	4,0	1,9	2,0	7,2	
71	0,37	71 6	895	62,8	0,68	1,33	4,7	1,9	2,0	8,8	
71	0,55	71 6	895	65,7	0,70	1,90	4,7	1,9	2,0	9,8	
80	0,75	80 6	910	69,0	0,72	2,29	5,3	2,0	2,1	16,7	
80	1,1	80 6	910	72,1	0,74	3,18	5,3	2,0	2,1	20	
90	1,5	90L6	920	76,0	0,74	4,20	6,0	2,0	2,1	25	
100	2,2	100L6	930	77,1	0,76	5,90	6,3	2,0	2,1	38	
112	3,0	112MA6	935	80,1	0,76	7,90	5,7	2,1	2,2	46	
112	4,0	112MB6	935	80,7	0,77	10,3	5,7	2,1	2,1	50	
132	5,5	132S6	955	82,8	0,78	13,4	6,3	2,1	2,1	75	
132	7,5	132M6	960	84,1	0,80	17,2	6,2	2,1	2,2	145	
160	11,0	160S6	965	86,8	0,79	24,6	6,3	2,0	2,2	141	
160	15,0	160M6	965	88,2	0,81	33,0	6,5	2,0	2,2	155	
180	18,5	180M6	970	88,9	0,82	39,0	6,6	2,1	2,1	200	
200	22	200M6	975	89,7	0,83	45,2	6,3	2,1	2,2	233	
200	30	200L6	975	89,8	0,84	61,8	6,5	2,1	2,2	250	
225	37	225M6	973	91,0	0,89	66,0	6,0	2,0	2,3	335	
250	45	250S6	980	92,0	0,87	81,0	6,0	2,0	2,0	519	
250	55	250M6	980	92,5	0,88	97,5	6,0	2,1	2,2	519	
280	75	280S6	985	93,5	0,87	133	6,5	2,0	2,4	580	
280	90	280M6	990	94,0	0,88	157	6,5	2,0	2,4	580	
315	110	315S6	985	94,0	0,88	202	7,0	2,3	2,6	1045	
315	132	315M6	985	95,0	0,88	240	7,0	2,4	2,6	1130	
355	160	355S6	990	95,8	0,88	292	7,2	1,9	2,0	1900	
355	200	355M6	990	95,2	0,88	365	7,2	1,9	2,0	1900	
355	250	355MB6	990	95,1	0,88	456	7,2	1,9	2,0	1900	
750	/	(8)								
71	0,25	71B8	655	54,5	0,60	1,17	3,7	1,8	1,9	9,1	
80	0,37	80A8	675	60,1	0,62	1,50	4,3	1,8	1,9	18	
80	0,55	80B8	675	62,9	0,62	2,18	4,0	1,8	2,0	18,9	
90	0,75	90LA8	685	72,4	0,70	2,33	4,0	1,9	2,0	30	
90	1,1	90LB8	685	73,0	0,69	3,27	4,0	1,9	2,0	26	
100	1,5	100L8	690	73,5	0,72	4,50	4,7	1,9	2,0	38	
112	2,2	112MA8	700	75,6	0,71	6,40	4,9	2,0	2,1	46	
112	3,0	112MB8	700	76,9	0,71	8,60	5,0	2,0	2,1	53	
132	4,0	132S8	715	81,9	0,78	10,8	5,6	2,1	2,1	82	
132	5,5	132M8	715	80,9	0,74	14,7	5,6	2,1	2,1	90	
160	7,5	160S8	720	85,2	0,74	19,2	5,8	2,0	2,1	148	
160	11,0	160M8	720	86,4	0,76	27,3	5,8	2,0	2,1	155	
180	15,0	180M8	725	87,6	0,78	34,5	6,2	2,0	2,0	210	
200	18,5	200M8	730	89,0	0,78	41,6	6,2	1,9	2,1	250	
200	22	200L8	730	89,6	0,78	49,4	6,2	2,0	2,1	260	
225	30	225M8	735	90,0	0,80	60,0	5,5	2,2	2,2	335	
250	37	250S8	735	91,0	0,80	73,5	5,5	2,0	2,0	519	
250	45	250M8	740	91,5	0,77	92,0	5,5	2,0	2,2	519	
280	55	280S8	740	92,5	0,80	107	6,0	2,0	2,4	580	
280	75	280M8	740	93,3	0,81	143	6,0	2,0	2,3	580	
315	90	315S8	740	93,5	0,81	181	6,0	2,0	2,4	1045	
315	110	315M8	740	94,5	0,81	218	6,0	2,4	2,6	1130	
355	132	355S8	740	93,7	0,82	261	6,4	1,8	2,0	1900	
355	160	355M8	740	94,2	0,82	315	6,4	1,8	2,0	1900	
355	200	355MB8	740	94,5	0,83	387	6,4	1,8	2,0	1900	
600	/	(10)								
250	22	250S10	585	86,0	0,70	55,5	6,0	1,6	2,0	475	
250	30	250M10	585	88,5	0,70	73,6	6,0	1,6	2,0	535	
280	37	280S10	590	89,0	0,70	90,2	6,0	1,6	2,0	720	
280	45	280M10	590	91,0	0,72	110	6,0	1,6	2,0	835	
315	55	315S10	590	92,0	0,75	121	6,2	1,5	2,0	1150	
315	75	315M10	590	92,5	0,76	162	6,2	1,5	2,0	1220	
355	90	355S10	590	92,8	0,77	192	6,1	1,4	2,0	2080	
355	110	355MA10	590	93,2	0,78	230	6,0	1,3	2,0	1800	
355	132	355MB10	590	93,5	0,78	275	6,0	1,3	2,0	2500	
355	160	355M10	590	93,5	0,78	333	6,0	1,3	2,0	2500	



IM 2001

19

		L30	h31	b10	b11	L10	L11	L31	d1	L1	b1	h25	h1	h	d10	d24	d20	d25	L20	d22	n
56	2,4	216	165	90	113	71	90	36	11	23	4	12,5	4	56	5,8	140	115	95	3	10	4
56		216	165	90	113	71	90	36	11	23	4	12,5	4	56	5,8	140	115	95	3	10	4
63A	2,4,6	250	180	100	124	80	102	40	14	30	5	16	4	63	5,8	160	130	110	3,5	10	4
63		250	180	100	124	80	102	40	14	30	5	16	4	63	5,8	160	130	110	3,5	10	4
71	2,4,6	295	205	112	155	90	120	45	19	40	5	21,5	5	71	7	200	165	130	3,5	12	4
71	2,4,6,8	295	205	112	155	90	120	45	19	40	5	21,5	5	71	7	200	165	130	3,5	12	4
80	2,4,6,8	320	230	125	160	100	130	50	22	50	6	24,5	6	80	10	200	165	130	3,5	12	4
80		350	230	125	160	100	140	50	22	50	6	24,5	6	80	10	200	165	130	3,5	12	4
90LA	2,4,6,8	380	245	140	176	100	170	56	24	50	8	27	7	90	10	250	215	180	4	15	4
90LB	8	380	245	140	176	125	170	56	24	50	8	27	7	90	10	250	215	180	4	15	4
100S	2,4	415	275	160	205	112	180	63	28	60	8	31	7	100	12	250	215	180	4	15	4
100L	2,4,6,8	420	275	160	205	140	185	63	28	60	8	31	7	100	12	250	215	180	4	15	4
112MA	2,4,6,8	400	300	190	240	140	223	70	32	80	10	35	8	112	12	300	265	230	4	15	4
112MB	6,8	490	302	190	240	140	223	70	32	80	10	35	8	112	12	300	265	230	4	15	4
132S	4,6,8	615	355	216	275	140	233	89	38	80	10	41	8	132	12	350	300	250	5	19	4
132M	2,4,6,8	615	355	216	275	178	233	89	38	80	10	41	8	132	12	350	300	250	5	19	4
160S	2	670	435	254	320	178	314	108	42	110	12	45	8	160	15	350	300	250	5	19	4
	4,6,8	670	435	254	320	178	314	108	48	110	14	51,5	9	160	15	350	300	250	5	19	4
160M	2	670	435	254	320	210	314	108	42	110	12	45	8	160	15	350	300	250	5	19	4
	4,6,8	670	435	254	320	210	314	108	48	110	14	51,5	9	160	15	350	300	250	5	19	4
180S	2	700	455	279	355	203	343	121	48	110	14	51,5	9	180	15	400	350	300	5	19	4
	4	700	455	279	355	203	343	121	55	110	16	59	10	180	15	400	350	300	5	19	4
180M	2	769	455	279	355	241	355	121	48	110	14	51,5	9	180	15	400	350	300	5	19	4
	4,6,8	769	455	279	355	241	355	121	55	110	16	59	10	180	15	400	350	300	5	19	4
200M	2	852	505	318	395	267	377	133	55	110	16	59	10	200	19	450	400	350	5	19	8
	4,6,8	852	505	318	395	267	377	133	60	140	18	64	11	200	19	450	400	350	5	19	8
200L	2	887	505	318	395	305	377	133	55	110	16	59	10	200	19	450	400	350	5	19	8
	4,6,8	887	505	318	395	305	377	133	60	140	18	64	11	200	19	450	400	350	5	19	8
225M	2	855	560	356	435	311	394	149	55	110	16	59	10	225	19	550	500	450	5	19	8
	4,6,8	855	560	356	435	311	394	149	65	140	18	69	11	225	19	550	500	450	5	19	8
250S	2	981	635	406	490	311	445	168	65	140	18	69	11	250	24	550	500	450	5	19	8
	4,6,8,10	981	635	406	490	311	445	168	75	140	20	79,5	12	250	24	550	500	450	5	19	8
250M	2	1031	615	406	490	349	459	168	65	140	18	69	11	250	24	550	500	450	5	19	8
	4,6,8,10	1031	615	406	490	349	459	168	75	140	20	79,5	12	250	24	550	500	450	5	19	8
280S	2	1146	698	457	550	368	540	190	70	140	20	74,5	12	280	24	660	600	550	6	24	8
	4,6,8,10	1146	698	457	550	368	540	190	80	170	22	85	14	280	24	660	600	550	6	24	8
280M	2	1197	680	457	550	419	540	190	70	140	20	74,5	12	280	24	660	600	550	6	24	8
	4,6,8,10	1197	680	457	550	419	540	190	80	170	22	85	14	280	24	660	600	550	6	24	8
315S	2	1318	870	508	640	406	680	216	75	140	20	79,5	12	315	28	660	600	550	6	24	8
	4,6,8,10,12	1318	870	508	640	406	680	216	90	170	25	95	14	315	28	660	600	550	6	24	8
315M	2	1325	870	508	640	457	680	216	75	140	20	79,5	12	315	28	660	600	550	6	24	8
	4,6,8,10,12	1325	870	508	640	457	680	216	90	170	25	95	14	315	28	660	600	550	6	24	8
335S	2	1556	1010	610	735	500	775	254	85	170	22	90	14	355	28	800	740	680	6	24	8
	4,6,8,10,12	1570	1010	610	735	500	775	254	100	210	28	106	16	355	28	800	740	680	6	24	8
335M	2	1556	1010	610	735	560	775	254	85	170	22	90	14	355	28	800	740	680	6	24	8
	4,6,8,10,12	1570	1010	610	735	560	775	254	100	210	28	106	16	355	28	800	740	680	6	24	8

ГИДРОТОЛКАТЕЛИ ОБЩЕПРОМЫШЛЕННОГО ИСПОЛНЕНИЯ

Основные узлы и детали толкателя
20

Толкатели электрогидравлические типа ТЭ общепромышленного исполнения предназначены для привода пружинных и колодочных тормозов подъемно-транспортного оборудования (козловых, мостовых кранов, железнодорожных путееукладчиков и кранах на ж/д ходу), ленточных конвейеров, лебедок и других механизмов.

Толкатели предназначены для эксплуатации в районах с умеренным (У) и тропическим (Т) климатах категории размещения 2 по ГОСТ 15150-69 под навесом или в помещениях, где колебания температуры и влажности воздуха не существенно отличаются от колебаний на открытом воздухе.

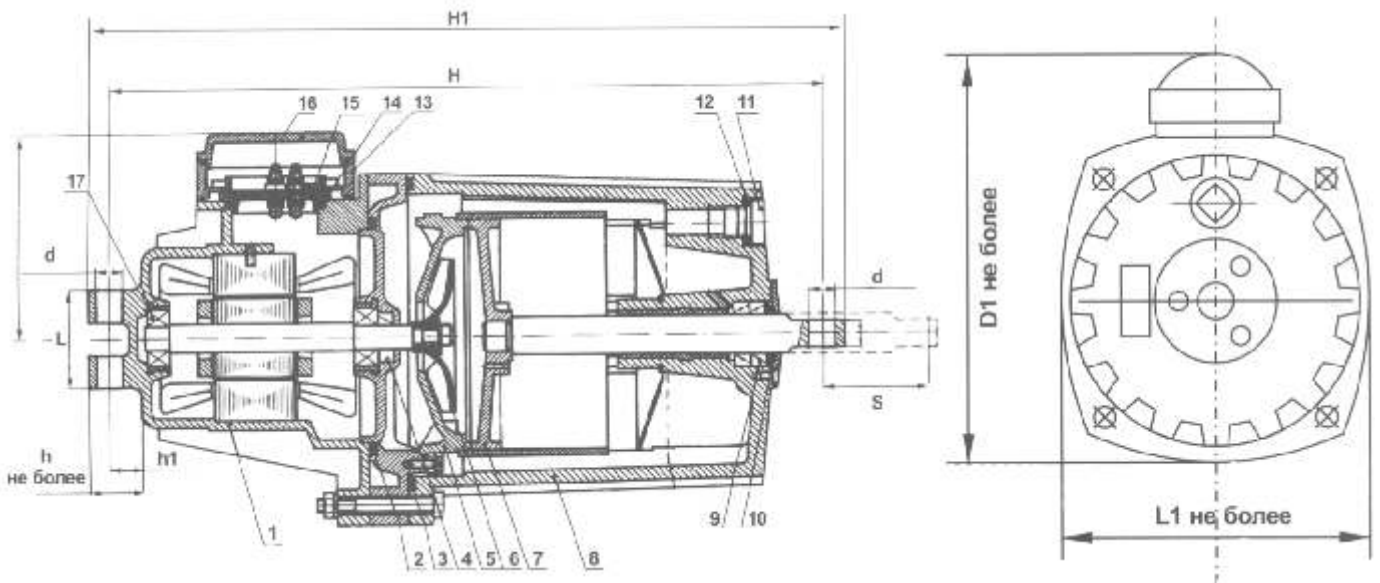
Толкатели категории 5 предназначены для эксплуатации в помещениях (объемах) с повышенной влажностью.

Толкатели ТЭ-30 устанавливаются на тормоза колодочные ТКГ-160 и ТКГ-200, толкатели ТЭ-50М на ТКГ-300, толкатели ТЭ-80М на ТКГ-400, ТКГ-500.

Толкатель не должен применяться для работы во взрывоопасной среде, а также в среде, содержащей едкие пары и газы, разрушающие металлы, изоляцию и резину.

По особому заказу завод может изготовить электрогидравлические толкатели на различные напряжения.

Позиция	Наименование
1.	Электродвигатель
2.	Кольцо уплотнительное
3.	Кольцо уплотнительное
4.	Манжета
5.	Корпус насоса
6.	Колесо насоса
7.	Поршень со штоком
8.	Корпус с цилиндром
9.	Манжета
10.	Кольцо сальниковое
11.	Пробка
12.	Кольцо уплотнительное
13.	Коробка выводов
14.	Кольцо
15.	Панель с зажимами
16.	Крышка
17.	Подшипник



12

Габаритные, станочные, присоединительные размеры (мм) и масса толкателей.

21

Тип толкателя	Время подъема сек.	Время опускания сек.	Потребляемая мощность Вт.	Размер, мм								Ход штока	Масса, кг
				D	d	H	H1	h	h1	L	L1		
ТЭ-30	0,26	0,26	160	170	12Н12	340	365	26,5	14	40	213	32	11
ТЭ-50	0,6	0,5	190	197,5	16	435	465	33,5	19	60	230	65	19,5
ТЭ-80	0,65	0,44	240										
ТЭ-30/50	0,45	0,35	160	170	12Н12	358	383	26,5	14	40	213	50	13
ТЭ-150	1,3	0,45	400	215	20	460	495	50	30	90	240	65	35
ТЭ-200	0,75	0,45	800	260	20	550	497	50	30	90	295	65	38

**ГИДРОТОЛКАТЕЛИ
ОБЩЕПРОМЫШЛЕННОГО ИСПОЛНЕНИЯ
ТЕХНИЧЕСКИЕ ХАРАКТЕРИСТИКИ.**

22

	-30, 30/50	-50	-80	-150	-200 200	- 100
	300	500	800	1500	2000	
	370	620	1000	1800	2400	
	32/50	65	65	65	65/100	
	0,26/0,45	0,6	0,65	1,3	0,85/1,32	
	0,26/0,35	0,5	0,44	0,45	0,45/0,73	
	0,25	0,25	0,25	-	-	
	380	380	380	-	-	
	160	190	240	400	800	
	11/13	19,5	19,5	35	38/39	

23

(°)	
2 ()	313 (40)-233 (-40)
2 ()	318 (45)-263 (-10)
()	258 (-15)
-10	288 (15)-233 (-40)
, %	
293 (20°)	80
298 (25°)()	100
300 (27°)	90
308 (35°)()	100
	1000

ТОРМОЗА КОЛОДОЧНЫЕ

13

Тормоза колодочные применяются в горнодобывающей, металлургической и других отраслях промышленности и предназначены для остановки и удержания валов механизмов (преимущественно подъемно-транспортных машин) в заторможенном состоянии при неработающем приводе. Тормоза устанавливаются в вертикальном положении (с горизонтальным расположением оси тормозного шкива) на механизмах, работающих в пожаровзрывобезопасной среде.

При установке на механизмах, работающих на открытом воздухе, тормоза должны быть защищены кожухом от попадания атмосферных осадков и действия солнечной радиации.

Конструкция ТКГ состоит из механической части и привода (электрогидравлический толкатель).

Тормоза могут эксплуатироваться в следующих условиях:

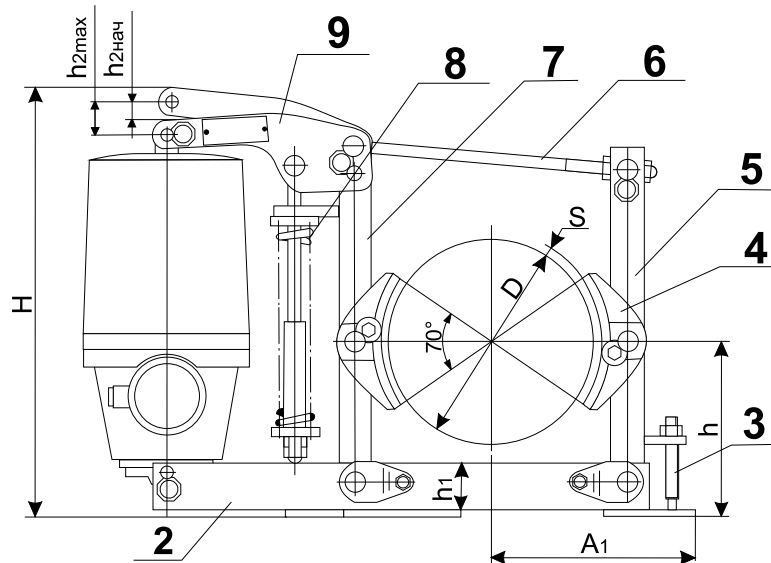
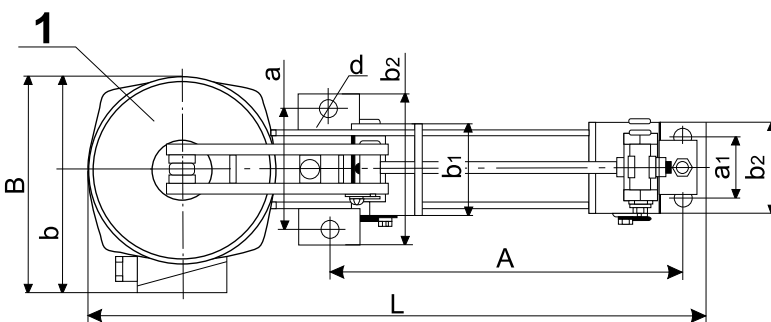
- температура окружающего воздуха от 40 до -40° С;
- относительная влажность воздуха 80% при 20° С;
- окружающая среда не должна содержать паров

или газов, разрушающих металл и резину.

Основные узлы и детали тормоза

24

Позиция	Наименование
1.	Привод тормоза
2.	Основание
3.	Болт упорный
4.	Колодка
5.	Стойка
6.	Шток
7.	Стойка
8.	Пружина
9.	Рычаг верхний



Габаритные, установочные, присоединительные размеры тормозов (мм).

25

Типоразмер тормоза	L	H	h	A	A ₁	a	a ₁	B	b	b ₁	b ₂	D	d	h ₁	S	h ₂ max	h ₂ min
ТКГ-100	490	415	100	220±0,8	140	90±0,8	90±0,8	213	125	70	120	100	13	7	8	32	22
ТКГ-160	530	420	144	200±0,8	152	90±0,8	90±0,8			70	120	160	13	7			
ТКГ-200	615	420	170	350±0,8	198	120±0,8	60±0,8			90	90	200	18	7			
ТКГ-300	780	585	240	500±0,8	275	150±Д8	80±0,8	230	130	140	120	300	22	12	8	65	45
ТКГ-400	930	605	300	340±0,6	336	68±0,5	68±0,5			180	120	400	22	72			
ТКГ-500	1160	735	400	410±1,4	205	85±1,4	85±1,4			200	160	500	27	70			
ТКГ-600	1300	895	415	610±0,8	485	126±0,5	126±0,5	241	135	240	200	600	30	96			

ТОРМОЗА КОЛОДОЧНЫЕ ОБЩЕПРОМЫШЛЕННОГО ИСПОЛНЕНИЯ

ТЕХНИЧЕСКИЕ ХАРАКТЕРИСТИКИ.

26

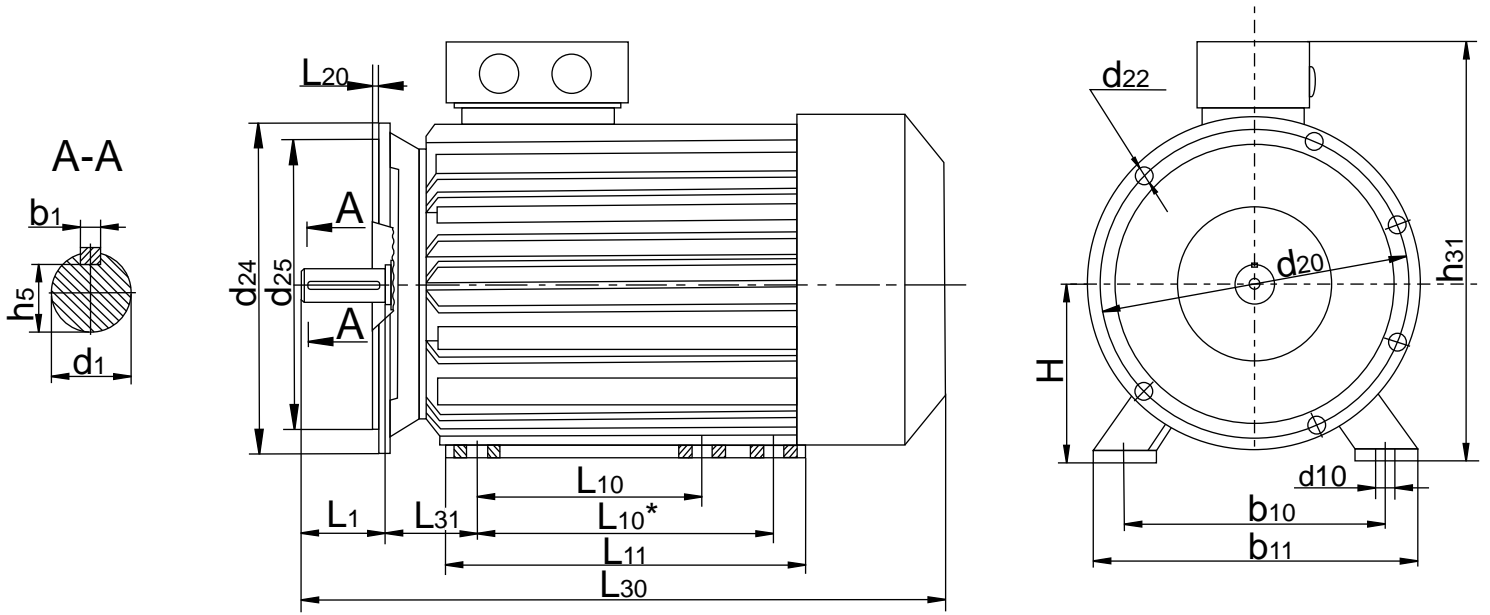
	-100	-160	-200	-300	-400
,	150	100	300	800	1500
,	100	160	200	300	400
	-30	-30	-30	-50	-80
,	380	380	380	380	380
,	160	160	160	190	240
,	32	32	32	65	65
,	490 213 415	536 213 415	645 420 213	780 585 230	895 605 230
,	23,4	25	30	55	95

	-500	-600
,	2500	5000
,	500	600
	-80	-150
,	380	380
,	240	450
,	65	65
,	1165 230 735	1300 241 895
,	150	200

3.

27

					%	./ /		
AO3-400M4	315	380	50	553	94	1500	IP 54	2100
AO3-400MA4	400			700	90	1492		2786
AO3-400MB4	450			785	96,1	1492		3122
AO3-400LA4	500			869	96,4	1492		3132
AO3-400LB4	560			971	96,4	1492		3548
AO3-400S6	250			442	95	1000		1855
AO3-400MA6	315			571	95,8	994		3003
AO3-400MB6	355			647	95,9	994		3410
AO3-400LA6	400			730	95,9	994		3558
AO3-400LB6	450			819	95,9	994		3841
AO3-400S8	200			372	94	750		1770
AO3-400MA8	250			473	95,3	745		2914
AO3-400LA8	315			590	95,5	745		3392
AO3-400LC8	400			750	95,6	745		3949
AO3-400S10	132			256	94	600		1680
AO3-400M10	160			310	94	600		1900
AO3-400MA10	200			513	94,4	596		2603
AO3-400MB10	250	568	94,4	596	2772			



		L30	h31	b10	b11	L10	L10*	L11	L31	d1	h5	L1	b1	h	d10	d24	d20	d25	L20	d22	
AO3-400	4,6,8,10	1881	1075	686	806	630	710	1090	280	110	100	210	4	400	36	1000	940	880	6	8	∅28

ЭЛЕКТРОДВИГАТЕЛИ РОЛЬГАНГОВЫЕ ТРЕХФАЗНЫЕ АСИНХРОННЫЕ С КОРОТКОЗАМКНУТЫМ РОТОРОМ СЕРИИ АРМ

Применяются для приводов, эксплуатирующихся в условиях высоких температур металлургического производства, в частности, для индивидуального привода роликов рольгангов, на всех металлургических предприятиях России и в ряде зарубежных компаний.

Климатическое исполнение: УЗ и Т2 по ГОСТ 15150 - 69.

Конструктивное исполнение: IM1001, IM1002, IM 2001, IM 2002, IM3001, по ГОСТ 2479-79 и исполнение со станиной без лап с горизонтальным полым конусным валом.

Частота: 50, 60 и 20 Гц.

Напряжение: 380В, по заказу - от 220 до 660В.

Степень защиты: IP54 по ГОСТ17494-87.

Способ охлаждения: IC0040 по ГОСТ 20459-87.

Класс вибрации: 4,5 ГОСТ 20815-93.

Выводное устройство закрытого исполнения К-3-I (с клеммной колодкой и одним штуцером).

По энергетическим показателям и уровню надежности двигателя превосходят все зарубежные аналоги.

Безотказно работают в условиях частых пусков, реверсов, торможений с большими моментами инерции на валу. Выдерживают от 7 до 30 мин. стоянки под током короткого замыкания, в отличие от импортных аналогов, допускающих работу в подобных режимах не более 5 мин.

ДВИГАТЕЛИ ТРЕХФАЗНЫЕ АСИНХРОННЫЕ СЕРИИ АР НАПРЯЖЕНИЕМ 220 В, ЧАСТОТОЙ 20 Гц

29

			/	
42-4	0,45	14	520	65
43-4	0,6	24	520	70
42-6	0,3	14	340	65
43-6	0,45	24	345	70
42-8	0,23	14	250	65
43-8	0,3	24	250	70
52-6	0,8	45	330	135
53-6	1,25	70	330	150
52-8	0,67	45	240	135
53-8	0,9	70	240	150
52-10	0,56	45	190	135
53-10	0,75	70	190	150
52-12	0,4	45	160	135
53-12	0,6	70	160	150
63-8	1,32	100	255	225
64-8	1,9	140	255	250
63-10	1,12	100	200	225
64-10	1,4	140	200	250
63-12	0,85	100	165	225
64-12	1,25	140	165	250
63-16	0,5	100	120	225
64-16	0,71	130	120	250
73-10	2,0	200	200	355
74-10	2,8	280	200	395
73-12	1,6	200	160	355
74-12	2,36	280	160	395
73-16	1,12	200	125	355
74-16	1,6	280	125	395

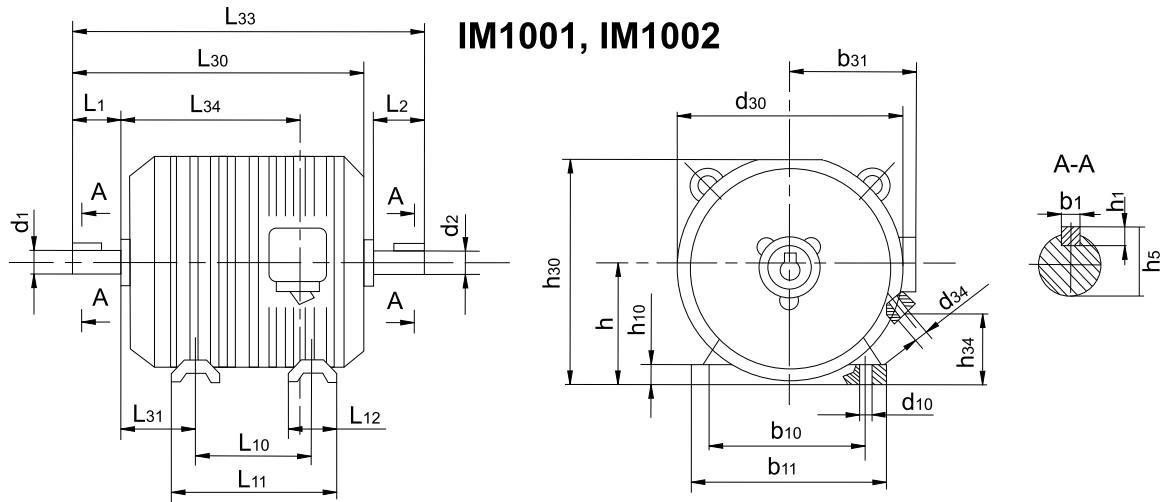
ОСНОВНЫЕ ТЕХНИЧЕСКИЕ ХАРАКТЕРИСТИКИ ДВИГАТЕЛЕЙ ПРИ ЧАСТОТЕ 50 ГЦ

30

Тип двигателя	Начальный пусковой момент Мпуск, Нм	Номинальная частота вращения об. / мин	Масса, кг	Номинальная мощность кВт	Начальный пусковой ток, 1пуск, А	Динамическая постоянная при ПВ40%, кгм кв. / час	Климатическое исполнение по ГОСТ 15150-69
APM42-4	20	1320	65	1,10	10,0	130	У3,Т2
APM43-4	30	1350	70	1,50	16,0	150	
APM42-6	24	870	65	0,90	8,0	260	
APM43-6	34	900	70	1,20	12,0	310	
APM42-8	28	650	65	0,71	8,0	390	
APM43-8	34	635	70	0,90	8,0	480	
APM42-10	24	530	65	0,50	6,0	520	
APM43-10	34	530	70	0,63	7,0	650	
APM42-12	22	440	65	0,30	5,0	640	
APM43-12	31	450	70	0,40	6,9	800	У1,У3,ХЛ1,Т1,Т2
APM52-4	67	1350	135	3,00	32,0	210	У3,Т2
APM52-6	55	900	135	2,00	20,0	520	
APM53-6	102	900	150	3,0	32,0	610	
APM52-8	58	645	135	1,6	15,0	850	
APM53-8	96	660	150	2,50	25,0	1000	
APM52-10	67	530	135	1,30	14,0	1200	У3,Т2
APM53-10	96	530	150	2,00	20,0	1440	У1,У3,ХЛ1,Т1,Т2
APM52-12	60	440	135	1,00	12,0	1510	
APM53-12	102	445	150	1,60	20,0	1780	У3,Т2
APM63-8	125	680	225	3,00	28,0	1330	
APM64-6	210	890	250	5,5	70,0	950	
APM64-8	180	680	250	3,60	40,0	1500	
APM63-10	134	545	225	2,50	26,0	2000	
APM64-10	180	550	250	3,00	37,0	2400	
APM63-12	128	450	225	1,90	23,0	2800	
APM64-12	180	460	250	2,40	34,0	3050	
APM63-16	125	340	225	1,40	20,0	4100	
APM64-16	190	340	250	1,70	27,0	4500	
APM64-24	90	210	250	0,8	19,0	6000	У3,Т2
APM73-10	285	545	355	5,00	56,0	3000	
APM74-10	425	535	395	6,70	70,0	3100	
APM73-12	270	450	355	4,20	48,0	4000	
APM74-12	450	455	395	5,30	67,0	4300	
APM73-16	268	340	355	3,00	39,0	6000	
APM74-16	425	340	395	4,00	58,0	6800	
APM 74-30	220	180	405	1,00	21,0	14000	
AP83-10	380	550	650	8,0	-	-	У3,Т2
AP83-12	425	460	650	6,7	-	-	
AP83-16	425	335	650	5,0	-	-	
AP83-20	425	270	650	4,0	-	-	
AP84-10	550	550	725	10,0	-	-	
AP84-12	560	460	725	8,0	-	-	
AP84-16	560	340	725	6,3	-	-	
AP84-20	560	270	725	5,0	-	-	

40

ГАБАРИТНЫЕ И УСТАНОВОЧНО-ПРИСОЕДИНИТЕЛЬНЫЕ РАЗМЕРЫ (мм)



IM1001, IM1002

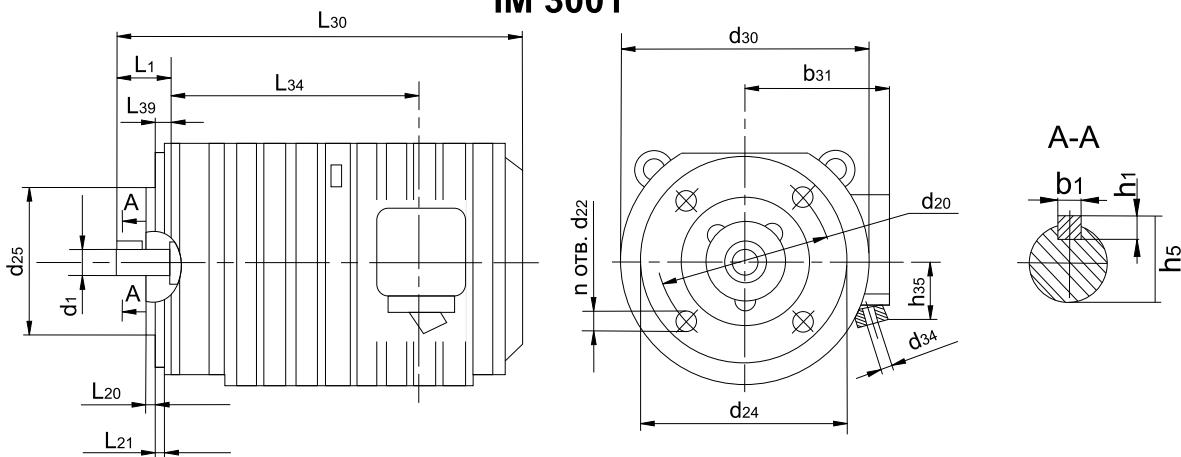
15

31

Тип двигателя	Габаритные размеры				Установочные размеры											Справочные размеры							
	b ₃₁	d ₃₀	L ₃₀	L ₃₃	h ₃₀	b ₁	b ₁₁	d ₁	d ₁₀	L ₁	L ₁₁	L ₃₁	h	h ₁	h ₅	b ₁₁	d ₃₄	L ₁₁	L ₁₂	L ₃₄	h ₁₀	L ₃₄	
APM42 APM43	170	270	475	556	240	10	210	32	15	80	150	100	125	8	35	260	G1-A	200	52	270	22	45	
APM52 APM53	205	360	600	714	317	12	285	40	19	110	200	117	170	8	43	340	G1-A	260	62	340	30	90	
APM63 APM64	270	450	630	766	395	14	350	50	19	110	270	138	200	9	53,5	425	G11/4-A	375	105	365	35	105	
APM73 APM74	290	510	760	922	470	18	400	60	24	140	340	151	250	11	64	485	G11/4-A	465	125	435	40	155	
AP83 AP84	335	590	955	1137	535	20	490	75	32	140	480	188,5	280	12	79,5	585	G11/4-A	626	140	605	50	175	

IM 3001

16



32

Тип двигателя	Габаритные размеры			Установочные размеры											Справочные размеры				
	b ₃₁	d ₃₀	L ₃₀	b ₁	d ₁	d ₂₁	d ₂₂	d ₂₄	d ₂₅	L ₁	L ₂₀	h ₁	h ₅	n	d ₃₄	L ₂₁	L ₃₄	L ₃₉ *	h ₃₅
APM42 APM43	160	270	475	10	32	185	15	220	150	80	4	8	35	4	G1-A	12	270	-13	80
APM52 APM53	190	360	600	12	40	255	19	305	215	110	4	8	43	4	G1-A	14	340	-12	130
APM63 APM64	235	450	630	14	50	350	19	400	300	110	5	9	53,5	8	G11/4-A	18	365	+13	240
APM73 APM74	255	510	760	18	60	400	19	450	350	140	5	11	64	8	G11/4-A	20	435	+16	250